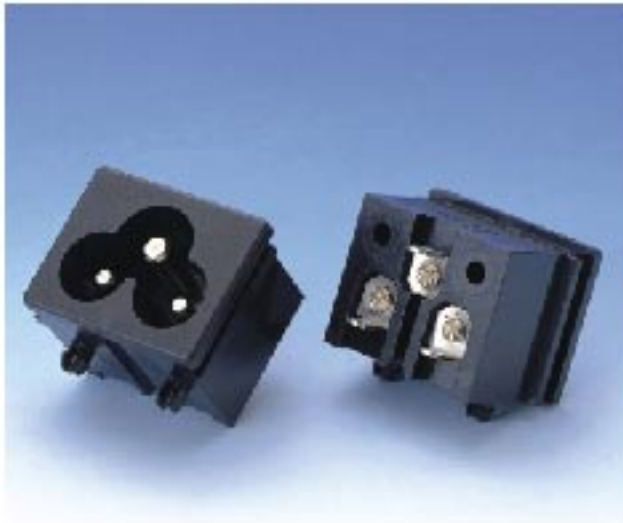


# AC SOCKET

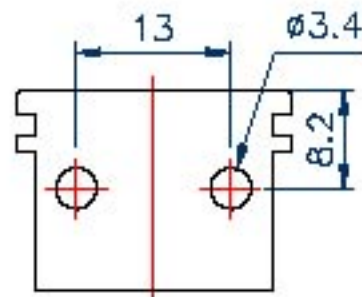
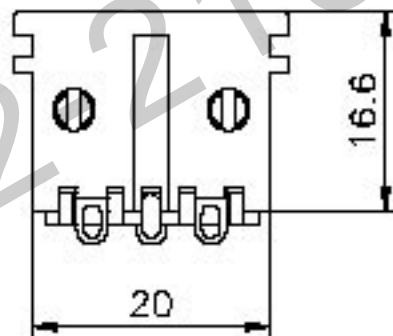
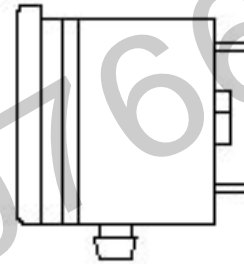
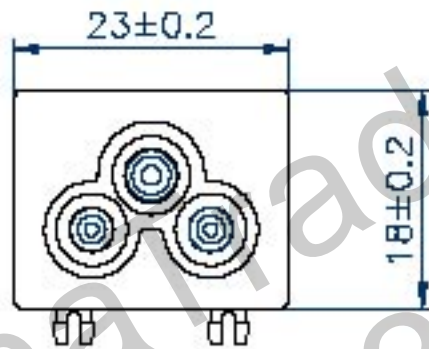


## RF-190-B

STANDARD: IEC 320 C6

RATING: 2.5A/250V AC

APPROVALS: UL/CSA/VDE/NEMKO



Panel Cutout