

# POWER INLET 5x20MM FUSE HOLDER

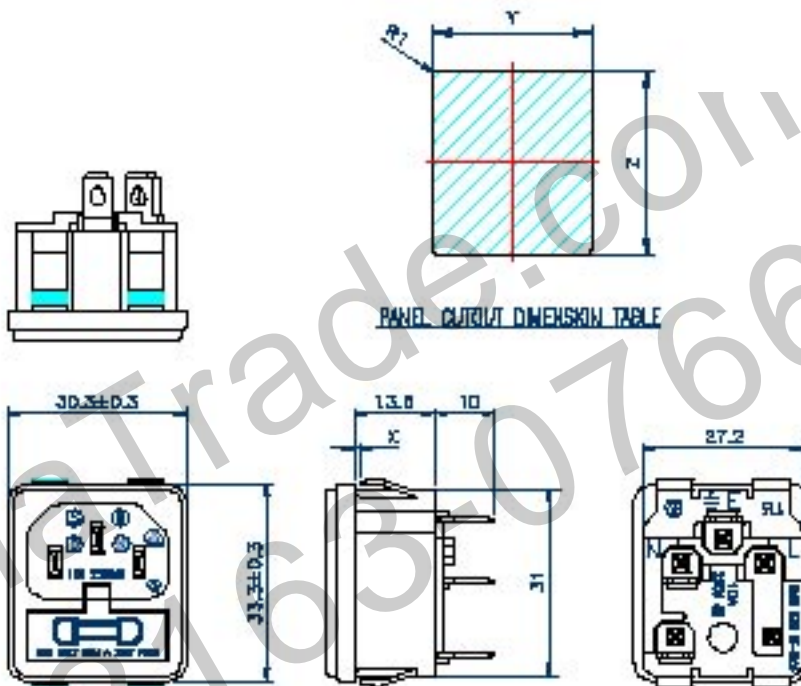


## RF-2004

STANDARD: IEC 320-1 C14

RATING : 10A 250V AC

APPROVALS: UL/CSA/VDE/DEMKO/  
NEMKO/SEMKO/FIMKO



PANEL CUTOUT DIMENSION TABLE

X(PANEL THICKNESS)	Y(CUTOUT DIMENSION)	Z(CUTOUT DIMENSION)
0.6~1.25mm	27.3 $\pm$ <sup>0.2</sup> <sub>0</sub>	31.4 $\pm$ <sup>0.5</sup> <sub>0</sub>
1.25~2.0mm	27.3 $\pm$ <sup>0.2</sup> <sub>0</sub>	31.6 $\pm$ <sup>0.5</sup> <sub>0</sub>

RF-2004-	6.3	
	6.3	
	4.8	
	4.0	
	2.8	