

AC SOCKET

SS-120-0.8A-4.8

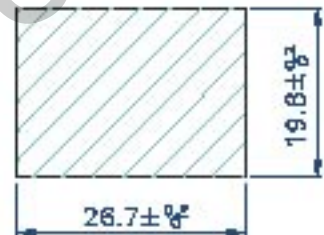
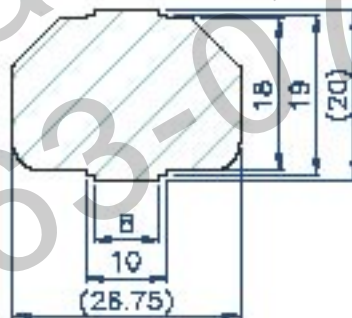
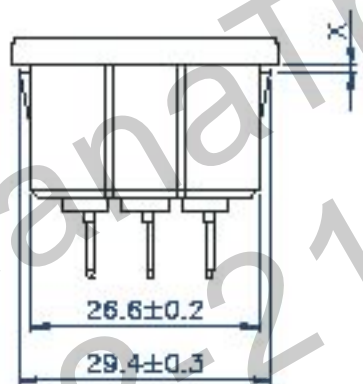
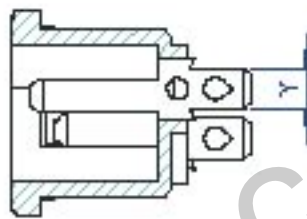
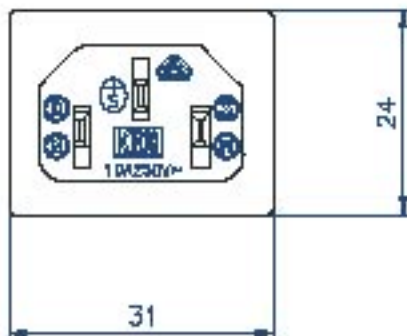
STANDARD: IEC 320 C14

RATING: 15A/250V AC

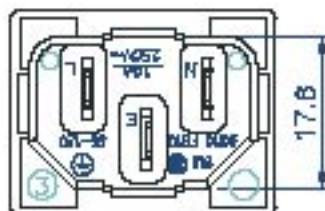
APPROVALS: UL/CSA

RATING: 10A/250V ~

APPROVALS: VDE/KEMA/SEV/DEMKO/NEMKO/
SEMKO/FIMKO/CCEE



PANEL CUTOUT



	X	Y	MODE
SS-120	0.8A-	6.3	
	1.0A-	4.8	
	1.5A-	4.0	
	2.0A-	2.8	