

AC SOCKET



SS-120-C-PCB-A

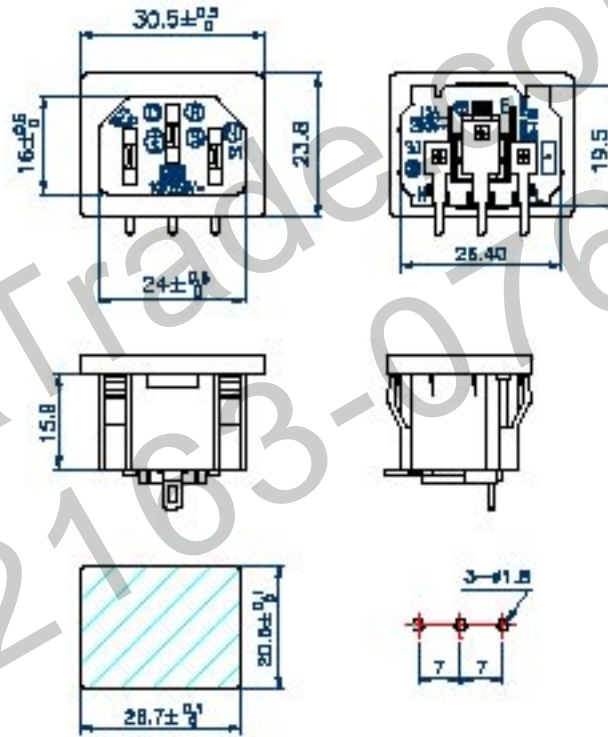
STANDARD: IEC 320 C14

RATING: 15A/250V AC

APPROVALS: UL/CSA

RATING: 10A250V~

APPROVALS: VDE/SEV/FIMKO/DEMKO/KEMA
/NEMKO/ SEMKO



PANEL CUTOUT
THICKNESS 0.8mm~1.5mm

P.C.B LAYOUT