

# AC SOCKET



## SS-7B-VDE-NUT

STANDARD : IEC 320 C14

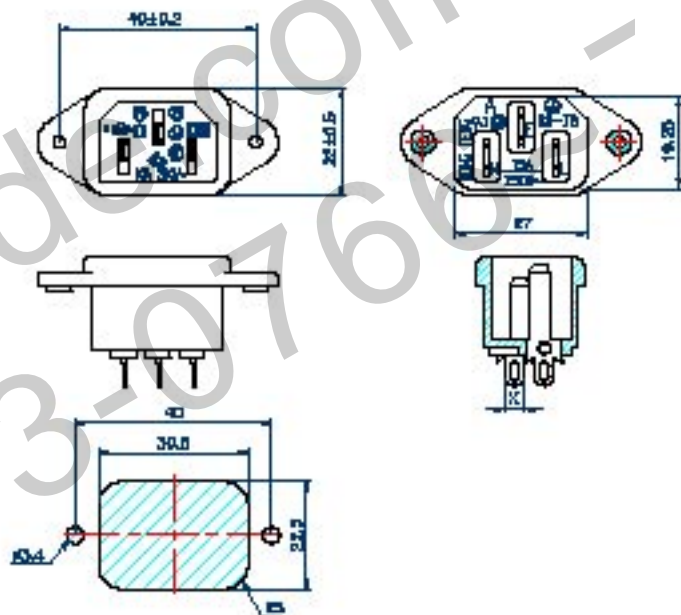
RATING : 15A 250V AC

APPROVALS : UL/CSA

RATING : 10A 250V AC

APPROVALS : VDE/DEMKO/NAMKO/  
SEV/SEMKO/FIMKO/KEMA/CCEE

	X		MODE
SS-7B-VDE-	4.8	-NUT	
	4.0		



Mounting inlet flange at back of cover.