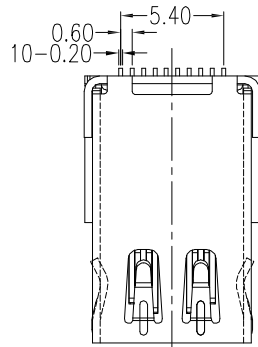


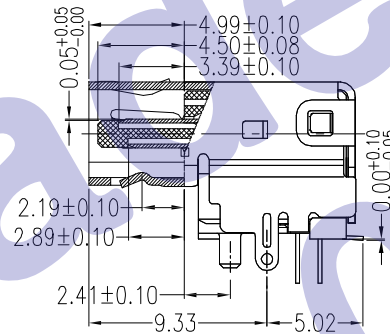
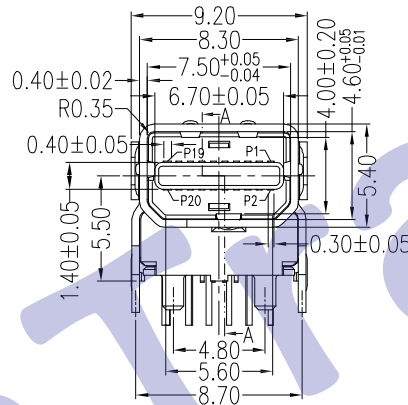
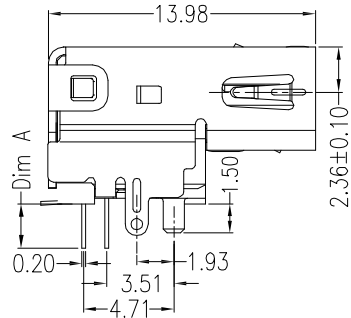
HSF

Top Row			Bottom Row		
Pin NO.	Signal Type	Pin Name	Pin NO.	Signal Type	Pin Name
1	GND	GND	2	In	HotPlug Detect
3	Out	ML_Lane 0(p)	4	CONFIG	CONFIG1
5	Out	ML_Lane 0(n)	6	CONFIG	CONFIG2
7	GND	GND	8	GND	GND
9	Out	ML_Lane 1(p)	10	Out	ML_Lane 3(p)
11	Out	ML_Lane 1(n)	12	Out	ML_Lane 3(n)
13	GND	GND	14	GND	GND
15	Out	ML_Lane 2(p)	16	I/O	AUX_CH(p)
17	Out	ML_Lane 2(n)	18	I/O	AUX_CH(n)
19	GND	GND	20	PWR Out	DP_PWR

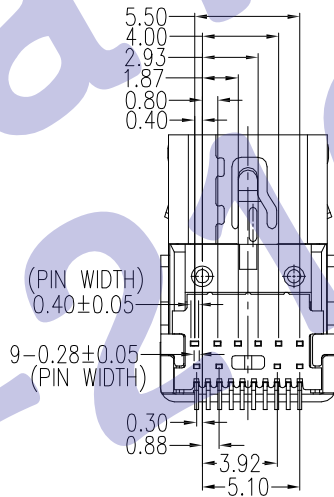
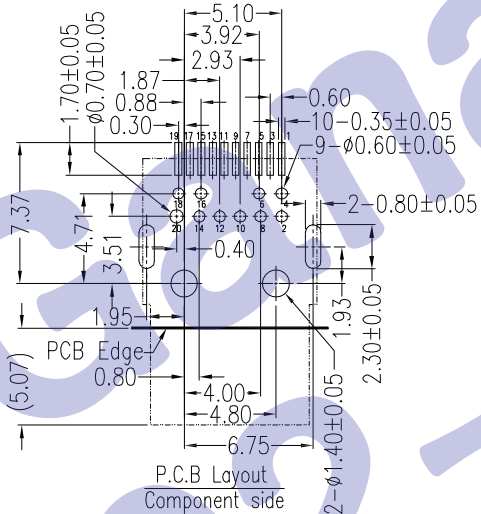
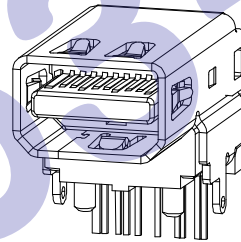


Unit:mm

Part NO.	Dim A	P.C.B Thickness
SSMDR-20F1L1PH4	2.15~2.30	1.60
SSMDR-20F2L1PH4	3.10	2.50



Section:A-A



NOTES:

*Material

Body: LCP UL94V-0 Color:Black
 Insert(Molding): LCP UL94V-0 Color:Black
 Retainer: LCP UL94V-0 Color:Black
 Contact: Phosphor Bronze;
 Plating: Au plating on contact area;
 Sn(100u" Min.) plating on solder tail;
 Ni(40u" Min.) underplating overall.
 Shell: Brass;
 Plating: Ni(50u" Min.) Plating .

*Mechanical

Insertion Force: 4.5Kg Max
 Withdrawal Force: 1.0~4.0Kg Min
 Durability: 10000 Cycles

*Electrical Specification

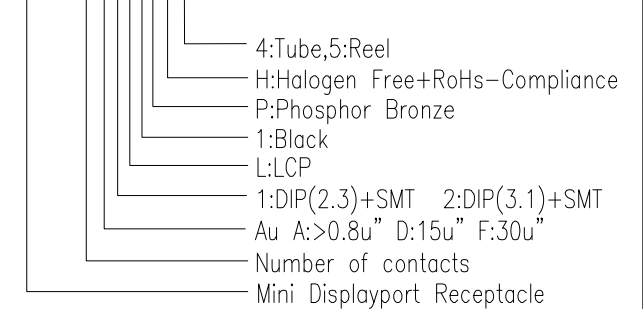
Current Rating: 0.5 Ampere per contact
 Contact Resistance: 30 mΩ max.
 Insulation Resistance: 100MΩ Min
 Dielectric Withstanding Voltage: 500V AC Min

*Environmental

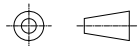
Operating Temperature: -40°c to +85°c.

How To Order:

SSMDR-20F1L1PH4



QUALITY SYMBOLS
 ■ : CRITICAL
 ▽ : ZERO DEFECT
 ☒ : MAJOR
 ▽ : S.P.C



UNIT	SCALE	TOLERANCES	ITEM	DESC	MATERIAL			REMARKS		
mm	2.5 : 1	DIM. ± 0.20 ANGLE: 3°	APPROVED	CHECKED	DESIGN	DRAWN	PART NO.	SHT	1/1	
							DESCRIPTION			
							DRAWING NO.	REV	A	

A 图面发行
REV DESCRIPTION

'09-12-09
DATE