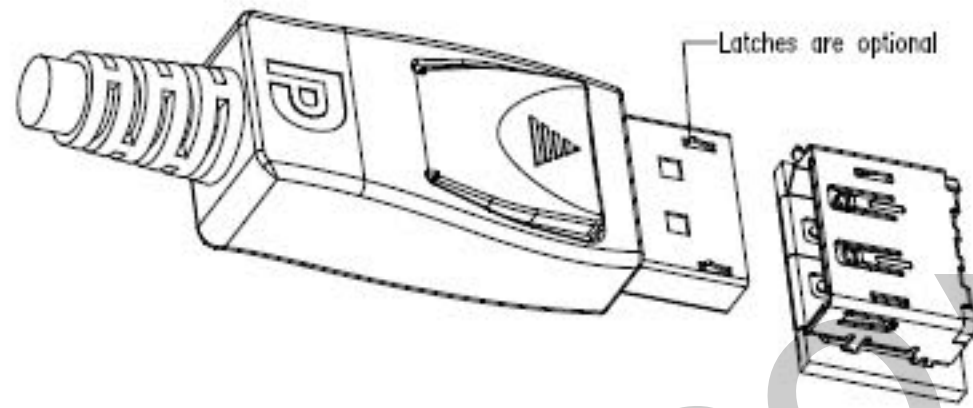
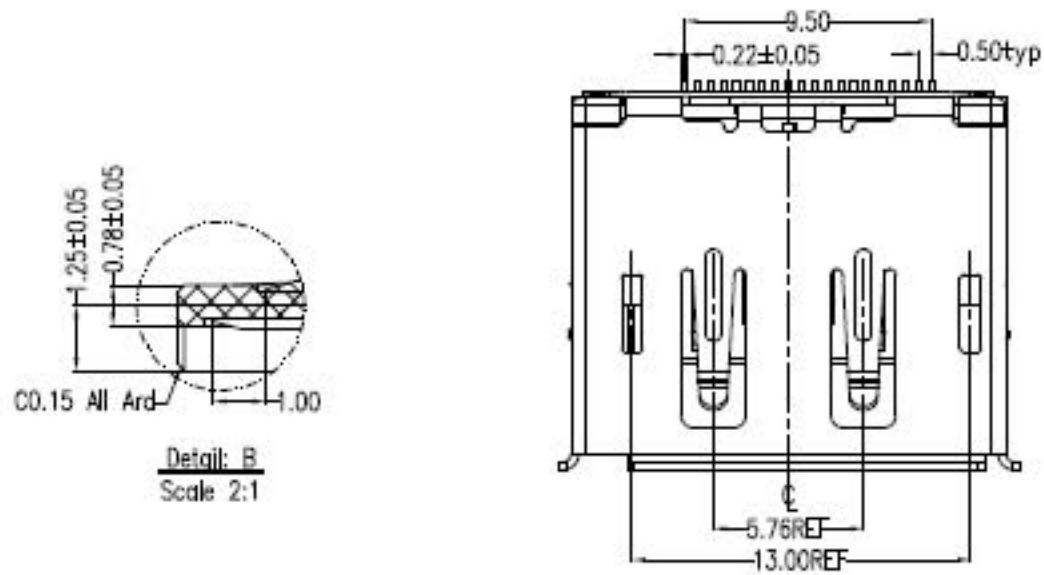


REV.	ECN.NO.	DATE
A	RELEASED	10/11-'07
D	Modify Drawing	01/22-'15
E	Modify Drawing	09/24-'15



NOTES:

***Material**

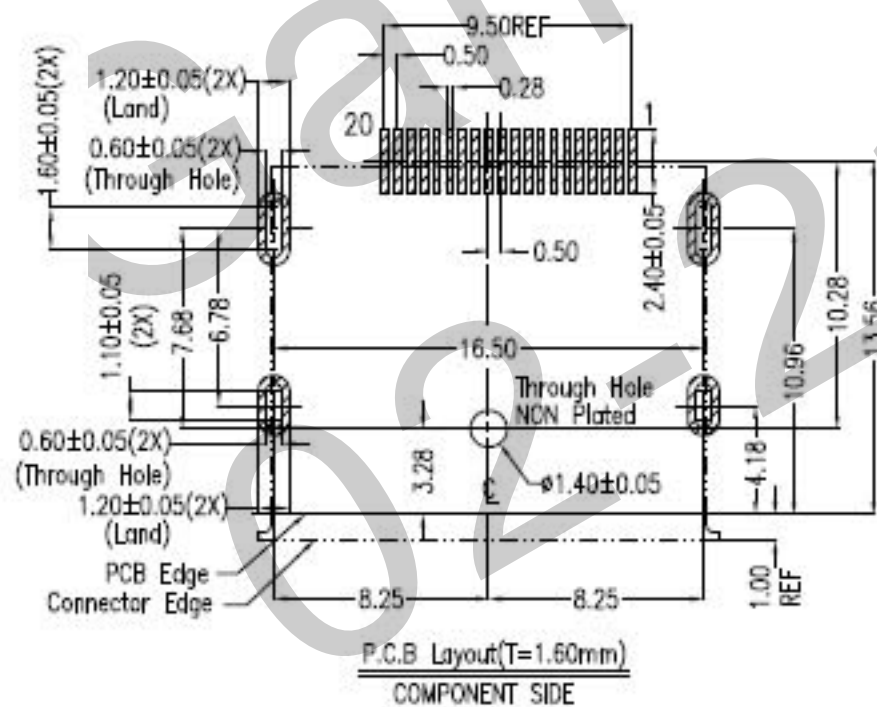
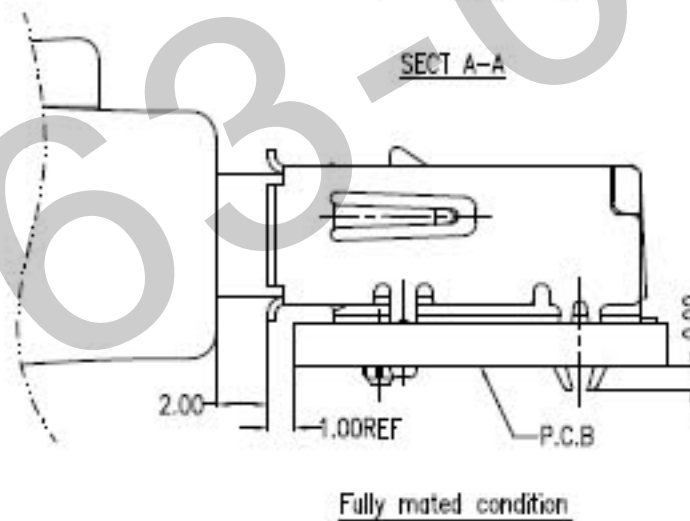
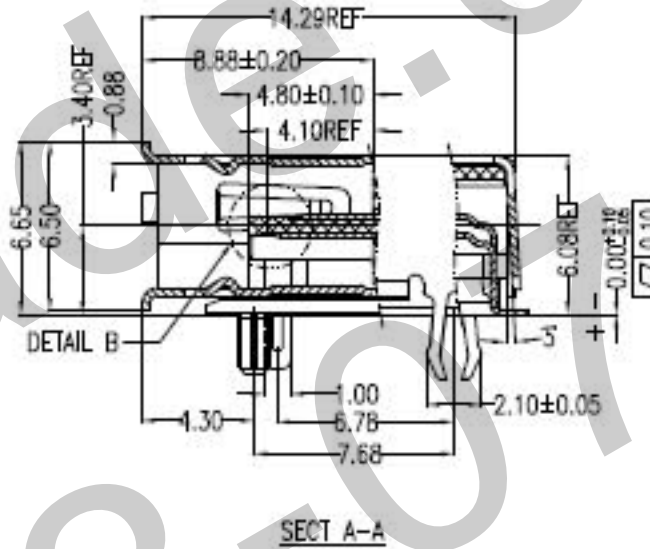
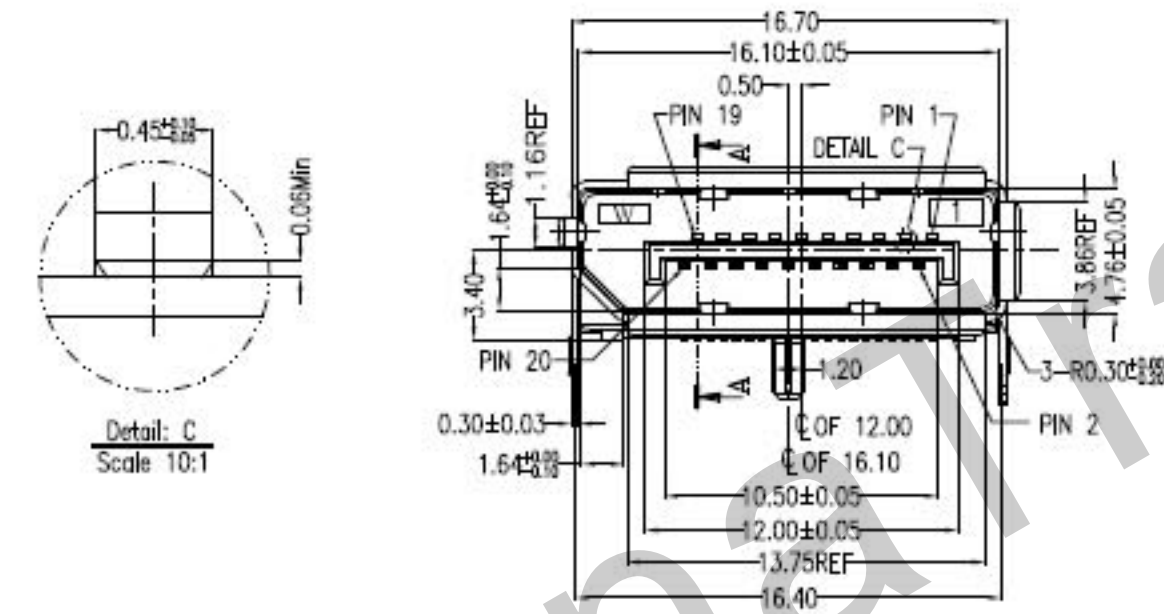
Housing: LCP,UL 94V-0Rated;Color:Black.
 Shield: Brass.
 Plating: Ni(40u" Min.) Plating.
 Contact: Brass.
 Plating: Au plating on contact area;
 Sn(100u" Min.) plating on solder tail;
 Ni(40u" Min.) underplating overall.

***Electrical Specification**

Operation Voltage: 40 VAC max.
 Current Rating: 0.5 Ampere per contact
 Contact Resistance: 30 mΩ max.
 Insulation Resistance: 100 MΩ min.
 Dielectric Withstanding Voltage: 500 VDC

***Environmental**

Operating Temperature: -20°C to +85°C



REV	Modify Drawing	In view of physical modification
Units	MM	Scale 1:1
Tolerance Unless Otherwise Specified		
.X	~ ±0.35	
.XX	~ ±0.25	
.XXX	~ ±0.15	
Angle	~ ± 3°	

Drawing By	Date
Ares	9/24-'15
Reviewed By	Date
Rosh	9/24-'15
Approval By	Date
Roger	10/2-'15

HDC 有限公司

Date	09/24-'15	Title	DisplayPort Receptacle (Female)
Sheet	1 of 1		
Third Angle Projection			
Drawing No.	WDPE-20PS-AN-N025	REV	E