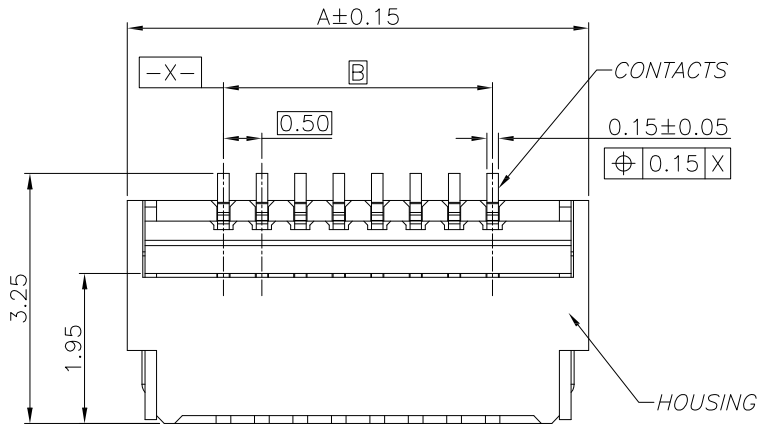
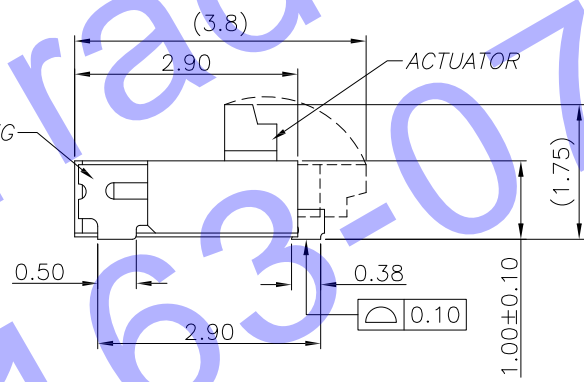
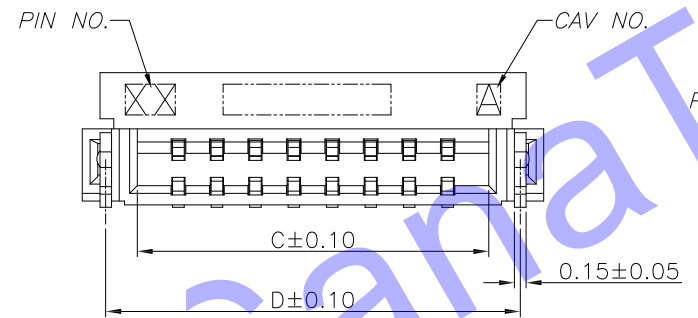


RoHS COMPLIANT



NOTE:

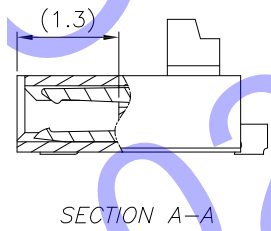
- MATERIAL:
 - HOUSING: HIGH TEMPERATURE THERMOPLASTIC(UL94V-0), COLOR: NATURAL.
 - CONTACTS: COPPER ALLOY.
 - PEG: COPPER ALLOY.
 - ACTUATOR: HIGH TEMPERATURE THERMOPLASTIC(UL94-V0).
- RATING:
 - OPERATING VOLTAGE: 50Vrms AC.
 - CURRENT RATING: 0.5A.
 - OPERATING TEMPERATURE: -55°C~+85°C.
 - OPERATING HUMIDITY RANGE: RELATIVE HUMIDITY 90% MAX.(NO CONDENSATION)
 - STORAGE TEMPERATURE RANGE: -10°C~+50°C.
 - STORAGE HUMIDITY RANGE: RELATIVE HUMIDITY 90% MAX.(NO CONDENSATION)



PART NO:

FPC - 5 09 X R TAG

- ND=Tin G=Gold flash
- 1G=Au:1u" 3G=Au:3u"
- 5G=Au:5u" 10G=Au:10u"
- TA: Tape Reel
- TU: Tube.
- Right Angle/Double-Face Contact
- NO. of contacts
- Service Number
- Pitch=0.50mm
- FPC Series



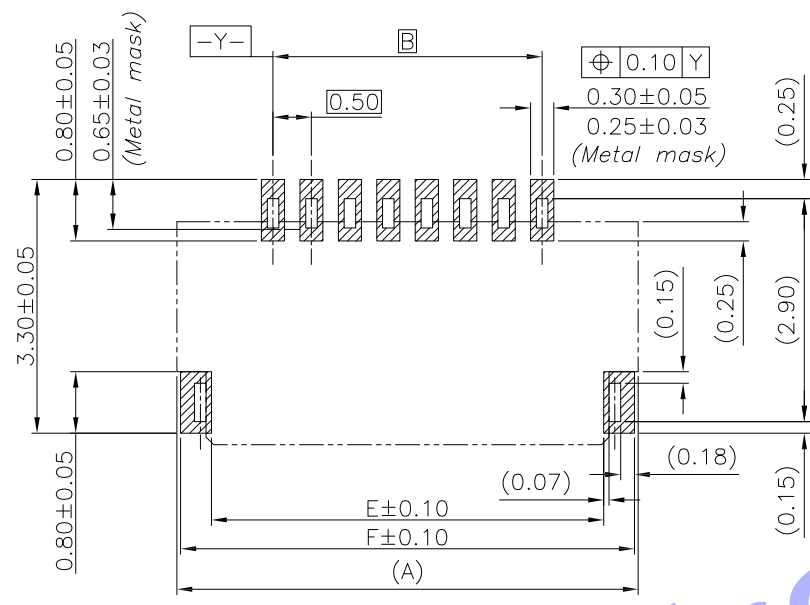
A		B		C		D		E		F		G		H	
REV	DESCRIPTION	DATE	QUALITY SYMBOLS	UNIT	SCALE	TOLERANCES	ITEM	DESC	Q'TY	MATERIAL	REMAKS	PART	REMAKS		
			■: CRITICAL ▽: ZERO DEFECT ⊠: MAJOR ▽: S.P.C	mm	3:1	DIM. ±0.30 ANGLE: 3°	APPROVED	CHECKED	DESIGN	DRAWN	FPC-5XXXXXX	SHT	1/1		
A	图面发行	09'-10-23									DESCRIPTION				
											DRAWING NO.	REV	A		

H D C 有限公司

0.5 Dual-Contact Back Lock Conn

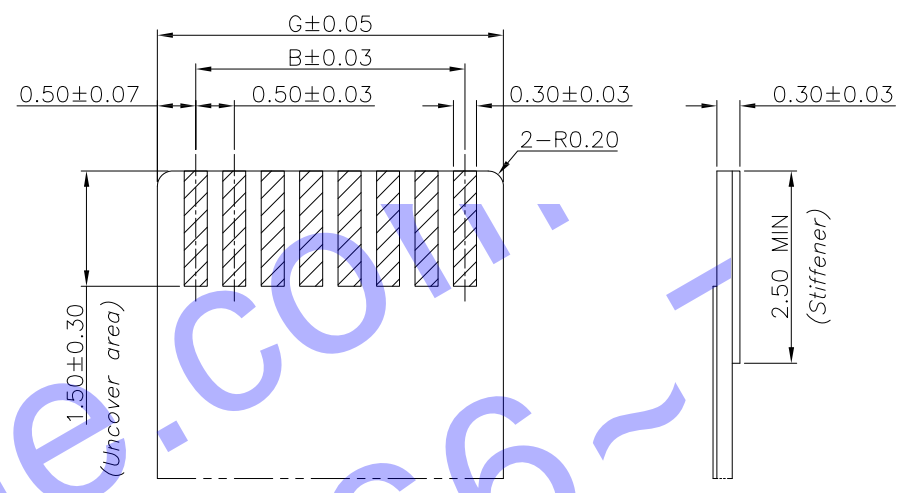
【客户用图】

RoHS COMPLIANT



Recommended PCB mounting pattern and metal mask dimensions

Recommended metal mask thickness: $t=0.1$



Recommended FPC/FFC Dimensions

20	12.00	9.50	10.57	11.39	11.10	11.90	10.50
16	10.00	7.50	8.57	9.39	9.10	9.90	8.50
14	9.00	6.50	7.57	8.39	8.10	8.90	7.50
12	8.00	5.50	6.57	7.39	7.10	7.90	6.50
11	7.50	5.00	6.07	6.89	6.60	7.40	6.00
10	7.00	4.50	5.57	6.39	6.10	6.90	5.50
8	6.00	3.50	4.57	5.39	5.10	5.90	4.50
7	5.50	3.00	4.07	4.89	4.60	5.40	4.00
6	5.00	2.50	3.57	4.39	4.10	4.90	3.50
4	4.00	1.50	2.57	3.39	3.10	3.90	2.50
Number of Contacts	DIM A	DIM B	DIM C	DIM D	DIM E	DIM F	DIM G

50	27.00	24.50	25.57	26.39	26.10	26.90	25.50
45	24.50	22.00	23.07	23.89	23.60	24.40	23.00
40	22.00	19.50	20.57	21.39	21.10	21.90	20.50
34	19.00	16.50	17.57	18.39	18.10	18.90	17.50
32	18.00	15.50	16.57	17.39	17.10	17.90	16.50
30	17.00	14.50	15.57	16.39	16.10	16.90	15.50
26	15.00	12.50	13.57	14.39	14.10	14.90	13.50
24	14.00	11.50	12.57	13.39	13.10	13.90	12.50
23	13.50	11.00	12.07	12.89	12.60	13.40	12.00
22	13.00	10.50	11.57	12.39	12.10	12.90	11.50

QUALITY SYMBOLS			UNIT	SCALE	TOLERANCES	ITEM	DESC	Q'TY	MATERIAL	REMARKS	PART REMARKS		
<input checked="" type="checkbox"/> : CRITICAL <input checked="" type="checkbox"/> : MAJOR <input checked="" type="checkbox"/> : ZERO DEFECT	<input checked="" type="checkbox"/> : S.P.C		mm	3:1	DIM. ± 0.30 ANGLE: 3°	APPROVED	CHECKED	DESIGN	DRAWN	PART NO.	FPC-5XXXXXX	SHT 1/1	
A	图面发行	09'-10-23	H D C 有限公司									DESCRIPTION	0.5 Dual-Contact Back Lock Conn
REV	DESCRIPTION	DATE	DRAWING NO.									REV	A