

8 7 6 5 4 3 2 1

H H

G G

F F

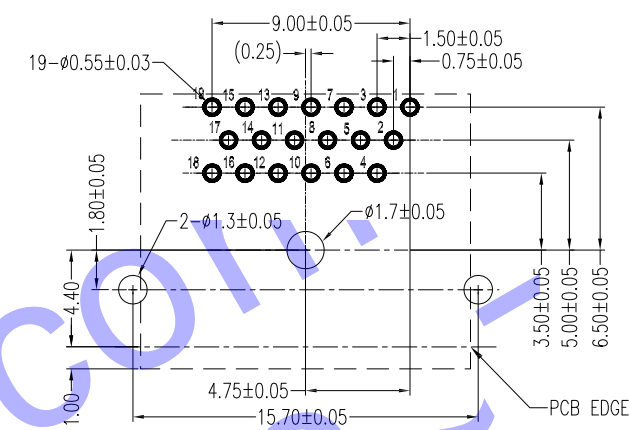
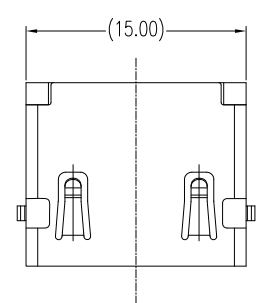
E E

D D

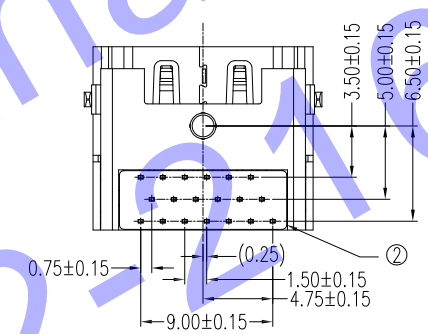
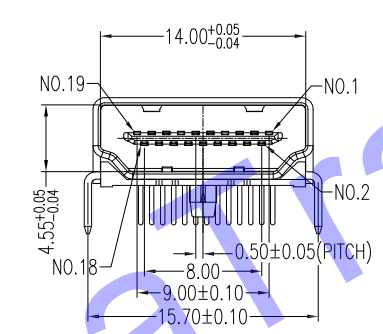
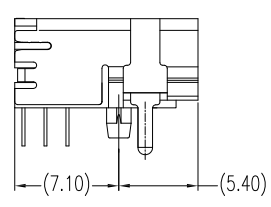
C C

B B

A A



RECOMMENDED PCB LAYOUT
SCALE 3:1



4	Terminal	Copper Alloy T=0.20mm \triangle	Contact Area: G/F Soldertail Area: Sn 100u" Under-Plating: Ni 50u"
3	Shell	Copper Alloy T=0.50mm	Over-Plating: Ni 100u"
2	Stopper	LCP+30%G.F., UL 94V-0	Color:Black
	Housing	LCP+30%G.F., UL 94V-0	Color:Black

QUALITY SYMBOLS	UNIT	SCALE	TOLERANCES
■ : CRITICAL ▽ : ZERO DEFECT ☒ : MAJOR ▽ : S.P.C	mm	2 : 1	DIM. ± 0.20 ANGLE: 1°
H D C 有限公司			

ITEM	DESC	MATERIAL	REMARKS	PART NOTES
APPROVED	CHECKED	DESIGN	DRAWN	PART NO. AD3PB19G0 SHT 1/1
DESCRIPTION			HDMI A/F/DIP/3ROWS/WITHOUT FLANGE	
DRAWING NO. ADB-A02			REV	C

8 7 6 5 4 3 2 1