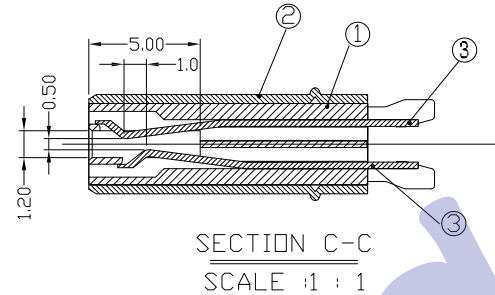
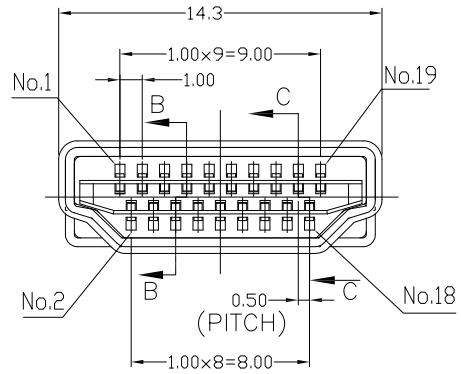
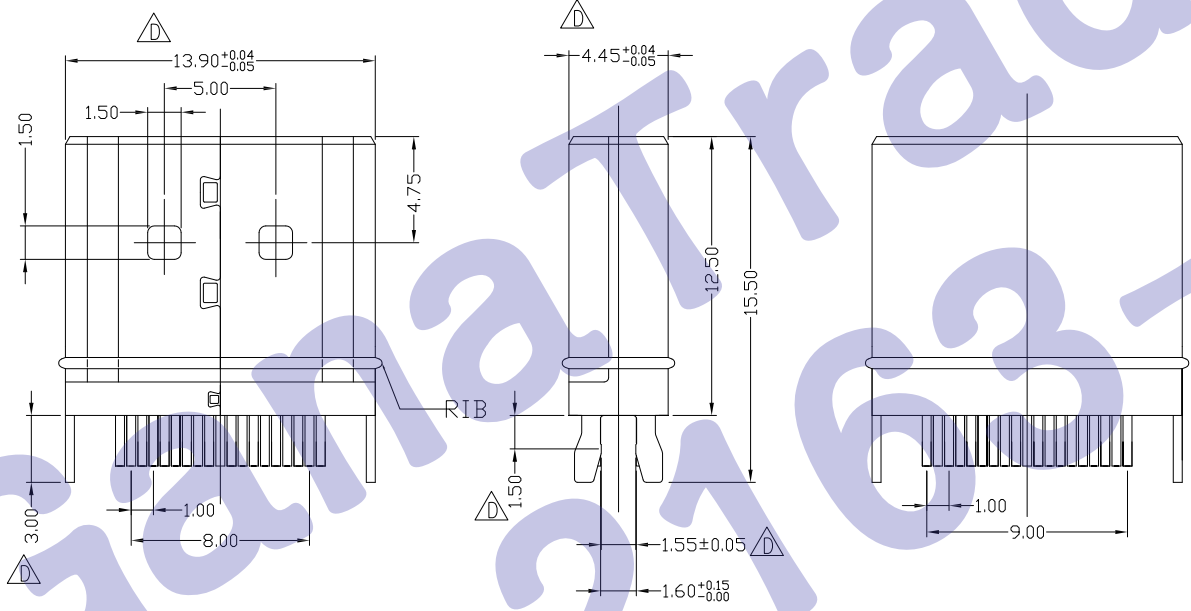


RoHS COMPLIANT



Note:

- 1.Mechanical:
 - 1.1 Insertion Force: 44.1N Max.
 - 1.2 Withdrawal Force: 9.8N Min.
- 2.Electrical:
 - 2.1 Contact Current Rating: 0.5A Min.
 - 2.2 Voltage Rating: 40V AC(rms)
 - 2.3 Withstanding Voltage: 300V AC For 1 Minute
 - 2.4 Insulation Resistance: 100 Mega Ohms Min.
 - 2.5 Contact Resistance: 30 MilliOhms Max.
- 3.Environmental:
 - 3.1 Operating Temperature: -25°C To +85°C



- PART NO:
- 1.Connector A D1 A F 19 A C
 - 2.HDMI A PLUG
 - 3.Housing A:LCP Black
 - 4.Shell Plating F: Au 1U" Over Ni 60u"
 - 5.19 Pin
 - 6.Products LOGO A: Nothingness
 - 7.Contact Plating C: Au:15u"

3	Terminal	19	COPPER ALLOY T=0.20mm	Contact Area: See Note Solder-tail Area: Sn 100u" Under-Plating: Ni 50u"
2	Shell	2	Copper Alloy T=0.30mm	Over Plating: See Note
1	Housing	1	HIGH TEMPERATURE THERMOPLASTICS	Color:Black
ITEM	DESC	Q'TY	MATERIAL	REMAKS
APPROVED	CHECKED	DESIGN	DRAWN	PART NO.
				DESCRIPTION
				DRAWING NO.
				HDMI A/Plug PCB Type
				REV E

E	确定料号	11'-07-06	QUALITY SYMBOLS
D	外壳增加扣位, 脚短配合PCB	10'-12-22	■: CRITICAL
C	端子改短配合 及塑胶槽加平	10'-05-27	☒: MAJOR
A	图面发行	09'-10-23	▽: ZERO DEFECT
REV	DESCRIPTION	DATE	S.P.C

UNIT	SCALE	TOLERANCES
mm	3:1	DIM. ±0.30
		ANGLE: 3°

【客户用图】