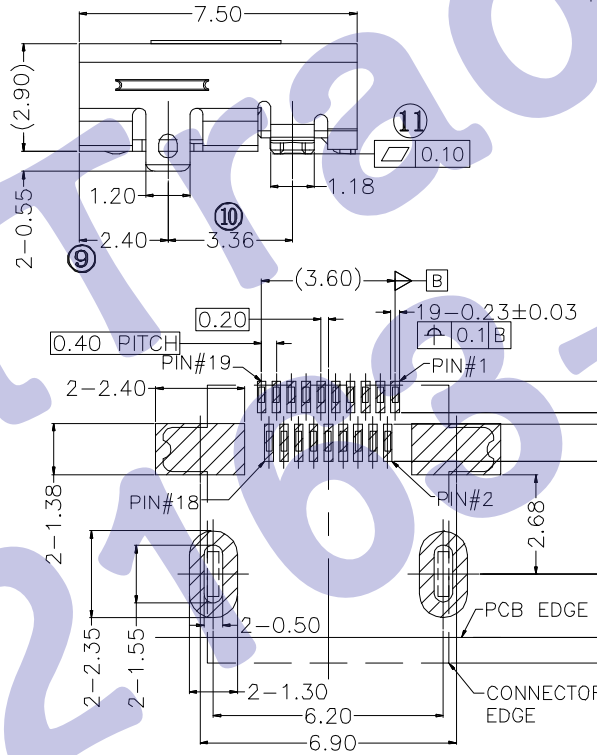
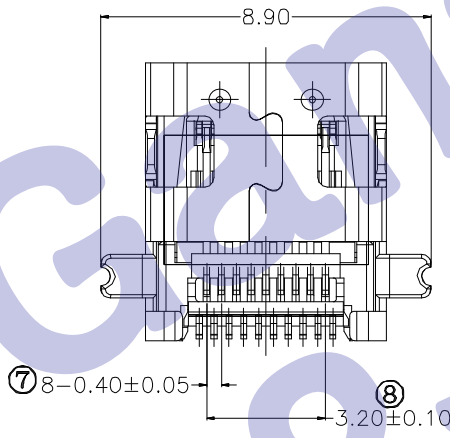
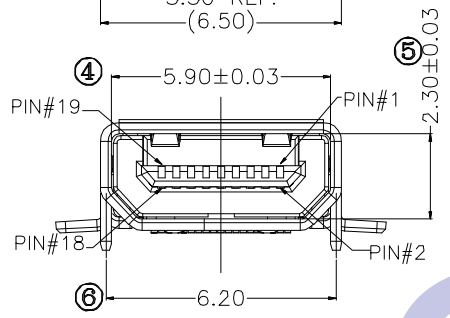
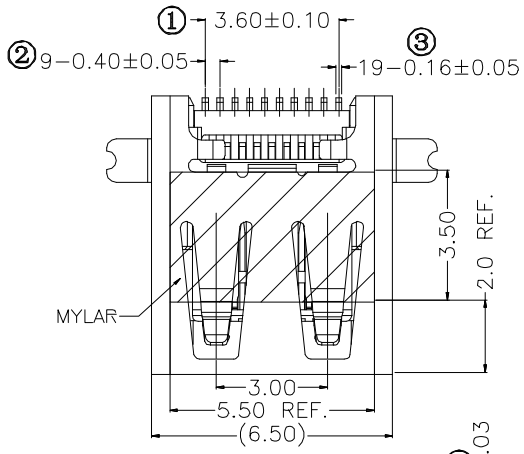
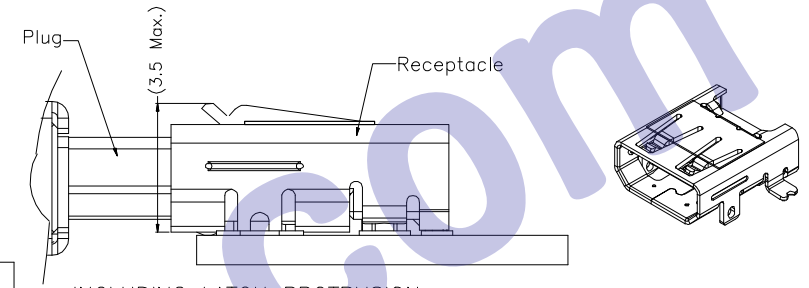


PIN	SIGNAL ASSIGNMENT	PIN	SIGNAL ASSIGNMENT
1	HOT PLUG DETECT	2	UTILITY
3	TMDS DATA2+	4	TMDS DATA2 SHIELD
5	TMDS DATA2-	6	TMDS DATA1+
7	TMDS DATA1 SHIELD	8	TMDS DATA1-
9	TMDS DATA0+	10	TMDS DATA0 SHIELD
11	TMDS DATA0-	12	TMDS CLOCK+
13	TMDS CLOCK SHIELD	14	TMDS CLOCK-
15	CEC	16	DDC/CEC GROUND
17	SCL	18	SDA
19	+5V Power		

CONNECTION	SIGNALS
FIRST MAKE	CONNECTOR SHELL
SECOND MAKE	PINS 1-18
THIRD MAKE	PIN19(+5V POWER)



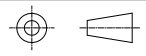
RECOMMENDED PCB LAYOUT
CONNECTOR SIDE(.XX±0.05)

- NOTE:
- CONTACT CURRENT RATING: 0.3 AMPERES.
 - VOLTAGE: 40 VAC MAXIMUM.
 - DIELECTRIC WITHSTANDING VOLTAGE:
UNMATED CONNECTORS,APPLY: 250V AC(RMS.)
MATED CONNECTOR,APPLY: 150V AC(RMS.)
 - CONTACT RESESTANCE: 10 MILLIOHMS MAXIMUM.
 - INSULATION RESISTANCE: 100 MEGOHMS MINIMUM.
 - OPERATING TEMPERATURE: -25°C~80°C.
 - INSERTION FORCE: 44.1N MAXIMUM.
 - WITHDRAWAL FORCE: 5~25N. AFTER 5,000 CYCLES MATING 3~25N

NOTE:
DD5PAQ19*0-*
Contact Area Plating:
G: Au G/F
D: Au 15u"
Packing:
T:Tray
R:Tape Reel
S:Vacuum

ITEM	TITLE	MATERIAL	DESCRIPTION	REMARK
1	TERMINAL	COPPER ALLOY C5210	CONTACT AREA:AU(SEE P/N); SOLDER AREA:AU 1U" MIN.	T=0.12
2	INSULATOR	LCP	UL94V-0	BLACK
5	SHELL	STAINLESS STEEL SJS304	PLATING:HALF-BRIGHT TIN	T=0.30
6	MYLAR		TRANSLUCENCY	1PC

QUALITY SYMBOLS
■ : CRITICAL
▽ : ZERO DEFECT
☒ : MAJOR
▽ : S.P.C



UNIT: mm
SCALE: 2.5 : 1
TOLERANCES: DIM. ± 0.20
ANGLE: 3°

APPROVED	DESC	CHECKED	DESIGN	MATERIAL	REMARKS
				PART NO.	SHT 1/1
				DESCRIPTION	HDMI TYPE D RECEPTACLE CONNECTOR
				DRAWING NO.	REV A

REV	DESCRIPTION	DATE
A	图面发行	'09-12-09