

8 7 6 5 4 3 2 1

H

G

B

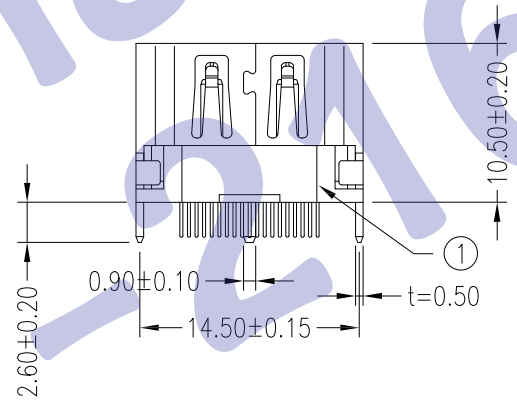
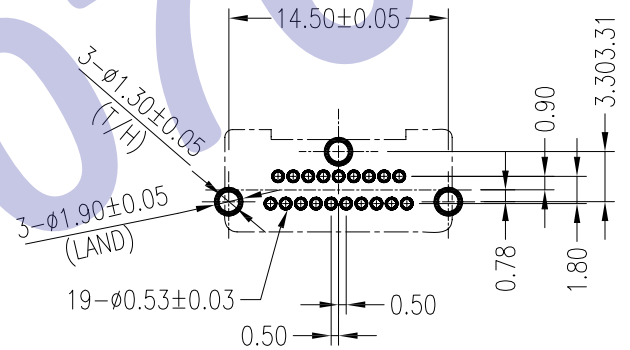
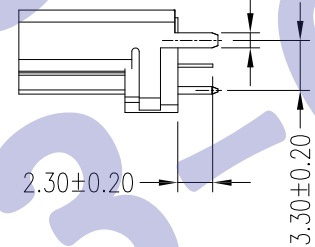
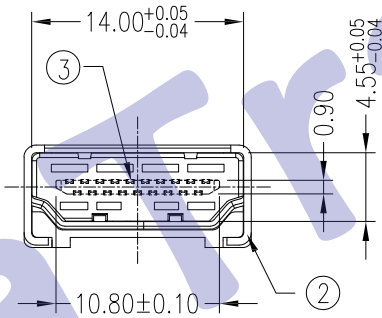
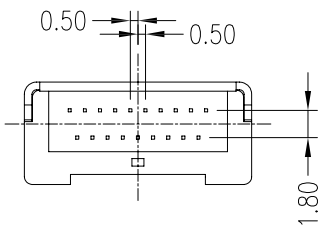
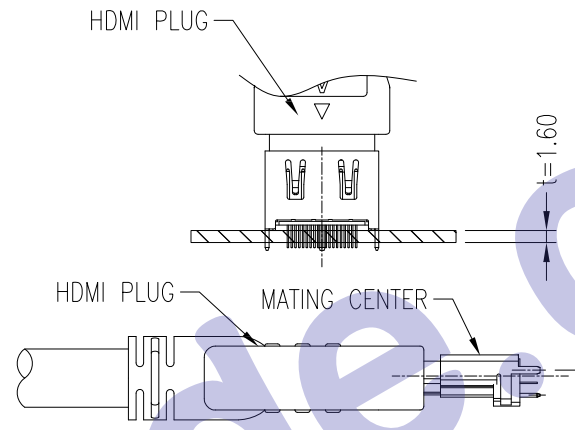
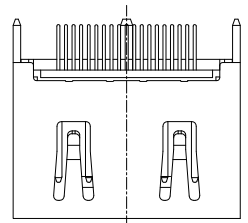
A

H

G

B

A



3	TERMINAL	COPPER ALLOY(t=0.20)	CONTACT AREA:Gold Flash SOLDER AREA: Tin 1um UNDER-PLATING:Ni 1.25um
2	SHELL	COPPER ALLOY(t=0.50)	OVER-PLATING:Ni 1um
1	HOUSING	HIGH TEMPERATURE THERMOPLASTICS	30%G.F.,UL94V-0

QUALITY SYMBOLS		: CRITICAL : MAJOR S.P.C : ZERO DEFECT	UNIT mm SCALE 1:1 TOLERANCES DIM. ±0.30 ANGLE: 3°	ITEM APPROVED DESC CHECKED DESIGN DRAWN PART NO. DESCRIPTION DRAWING NO.	REMARKS HDMI A/F/VERTICAL/DIP/Without Cover 【客户用图】
A	图面发行				
REV	DESCRIPTION	DATE			

8 7 6 5 4 3 2 1