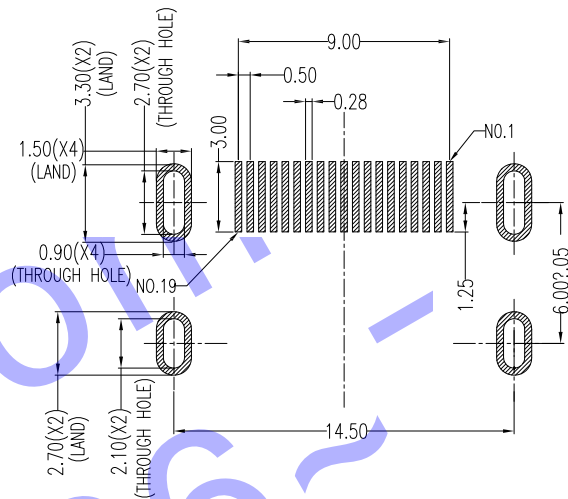


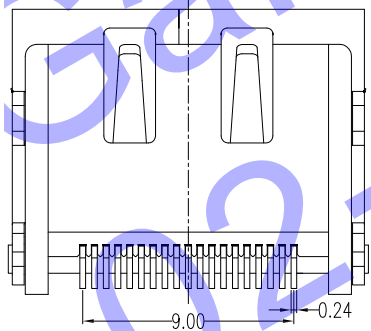
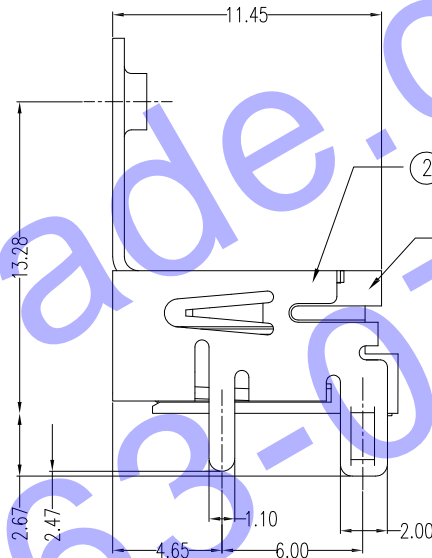
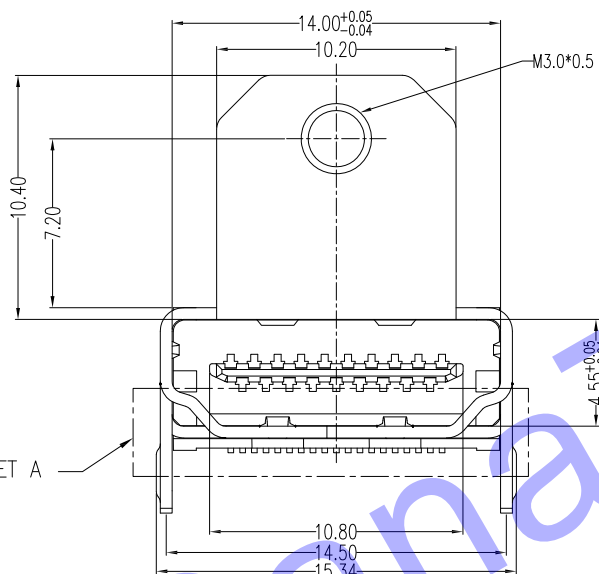
DET A  
SCALE (1:1)



RECOMMENDED P.C.B. LAYOUT

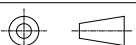
NOTE:  
AD3PBX19\*0

Contact Area Plating:  
G: Au G/F  
D: Au 15u"



4	Film	POLYIMIDE T=0.08mm	Color:Brown
3	Terminal	Copper Alloy T=0.25mm	Contact Area: See Note Soldertail Area: Sn 100u" Under-Plating: Ni 50u"
2	Shell	Copper Alloy T=0.50mm	Over-Plating: Ni 100u"
1	Housing	LCP+30%G.F., UL 94V-0	Color:Black

QUALITY SYMBOLS  
 ■ : CRITICAL  
 ▽ : ZERO DEFECT  
 ☒ : MAJOR S.P.C  
 ▽ : S.P.C



UNIT: mm  
 SCALE: 2.5 : 1  
 TOLERANCES: DIM. ± 0.20  
 ANGLE: 3°

**H D C 有限公司**

ITEM	DESC	MATERIAL		REMARKS			
APPROVED	CHECKED	DESIGN	DRAWN	PART NO.	AD3PBX19*0	SHT	1/1
				DESCRIPTION	GHDM-Z6010		
				DRAWING NO.	ADD-A01	REV	A

REV	DESCRIPTION	DATE
A	图面发行	'09-12-09

【客户用图】