

8 7 6 5 4 3 2 1

H

G

B

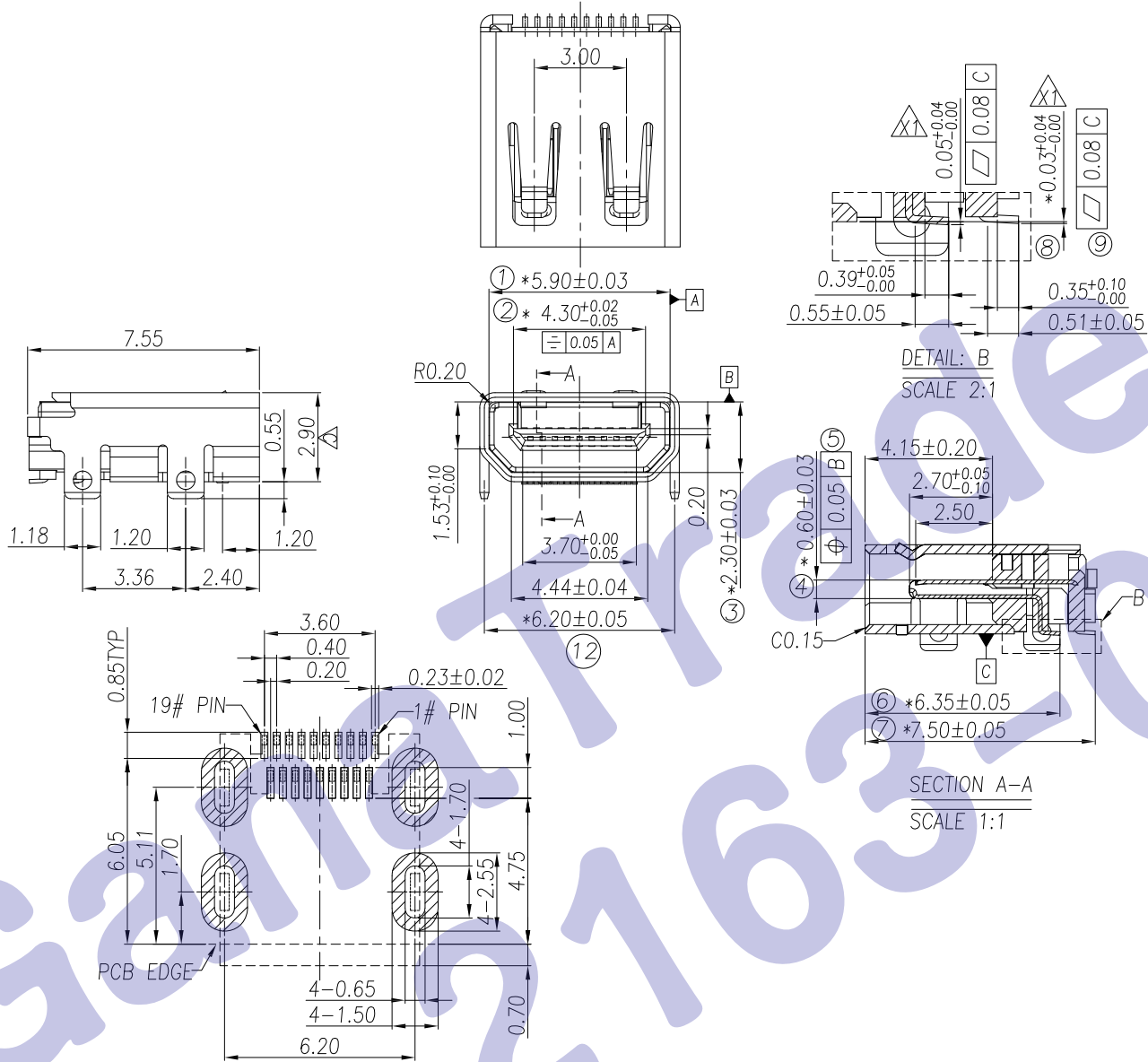
A

H

G

B

A



ORDERING INFORMATION

AD F 019 S - * * * * * D R * *
 (1) (2) (3) (4) (5) (6) (7) (8) (9)(10)(11)(12)(13)

- SERIES NO.
AD : HDMI CONNECTOR, TYPE D
- TAIL CONSTRUCTION TYPE
G: FRONT SOLDER TAIL IS DIP
AND BLACK SOLDER TAIL IS SMT TYPE
- NUMBER OF PIN
019: 19 POSITIONS
- CONTACT & CONNETING TYPE
S: SOCKET
- CONTACT PLATING
O: G/F PLATED OVER ALL AND 50u" NICKEL UNDERPLATING
- SHELL PLATING
U: 50u"MIN NI UNDERPLATING AND PLATED G/F IN SOLDER AREA
- ENVIRONMENTAL PROTECTION
3: HALOGEN FREE COMPLIANT
- SHELL CONSTRUCTION
O: SOLDER TAIL IS THROUGH HOLE TYPE
- COLOR CODES:
3: BLACK
4: NATURAL
- FLATNESS NO
D: FLATNESS 0.10 Max
- THE PACKAGE NO
R: TAPE REEL PACKAGE
- SUFFIX NO.1
L: PRODUCT LENGTH IS 7.70mm.
- SUFFIX NO.2
NONE

RECOMMENDED PCB LAYOUT (T:0.60mm)
 TOP TOLERANCE UNSPECIFIED ±0.05mm

10	COPPER ALLOY	SMT CONTACT	⑤
9	COPPER ALLOY	DIP CONTACT	④
1	HIGH THERMOPLASTIC UL94V-0	BOTTOM INSULATOR	③
1	HIGH THERMOPLASTIC UL94V-0	TOP INSULATOR	②
1	STAINLESS STEEL	SHELL	①
QTY'S	SPECIFICATION	PART	ITEM

A	QUALITY SYMBOLS	UNIT	SCALE	TOLERANCES	ITEM	DESC	MATERIAL			REMARKS											
	■ : CRITICAL ▽ : ZERO DEFECT ⊕ : MAJOR ▽ : S.P.C						mm	1:1	DIM. ±0.30 ANGLE: 3°	APPROVED	CHECKED	DESIGN	DRAWN	PART NO.	DESCRIPTION	1/1					
REV	DESCRIPTION	DATE																			

8 7 6 5 4 3 2 1