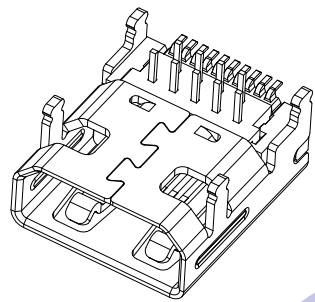
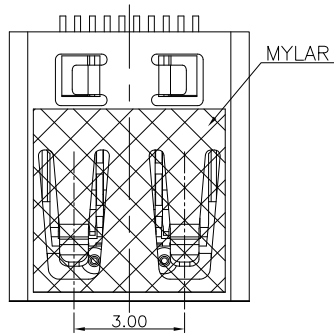
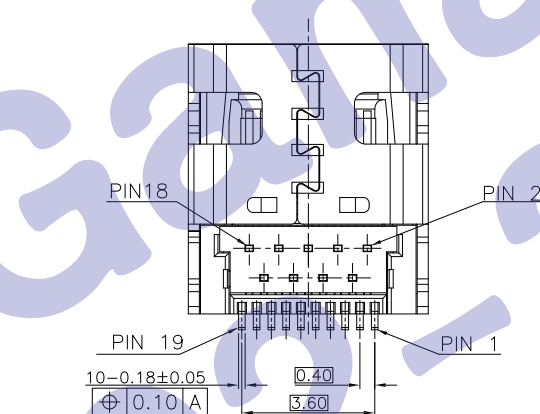
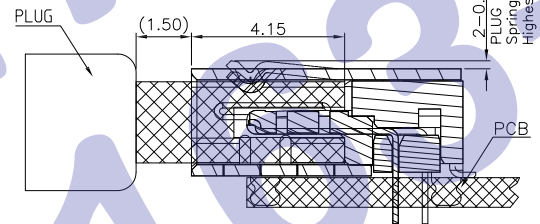
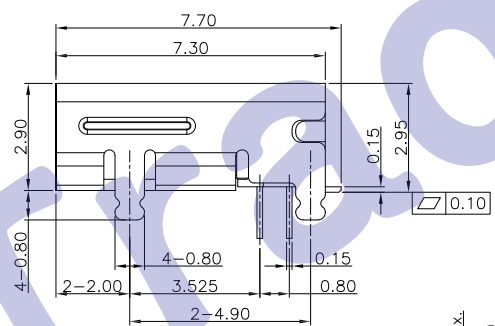
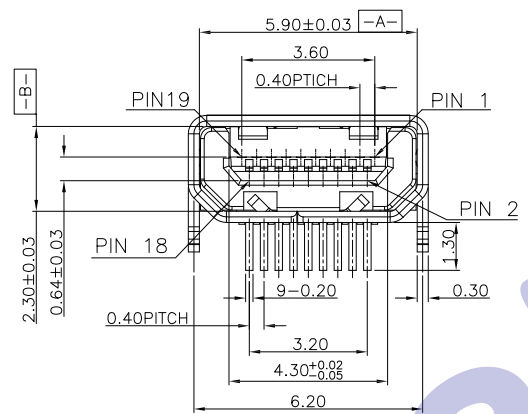


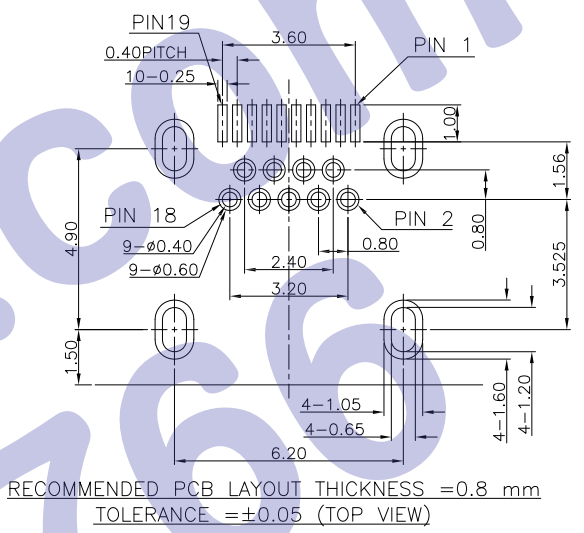
RoHS COMPLIANT



3D VIEW



NOTES:
 1. MATERIAL:
 1.1 SHELL: SUS304-1/2H T=0.3mm
 1.2 HOUSING: LCP E130i+30%GF WHITE UL94V-0
 1.3 COVER:LCP E130i+30%GF WHITE UL94V-0
 1.4 TERMINAL: C5191R-H T=0.15mm
 2. PLATING:
 2.1 TERMINAL: GOLD PLATED OVER NICKEL ON CONTACT AREA AND SEE
 P/N TABLE ON SOLDER TAILS
 2.2 SHELL: NICKEL PLATED



- PART NO: D D1 A F 19 A C
- 1.Connector
 - 2.HDMI D TYPE
 - 3.Housing
A:LCP Black
 - 4.Shell Plating
 - 5.19 Pin
 - 6.Products LOGO
A:Nothingness
 - 7.Contact Plating
C:Au:1u"

3	Terminal	19	COPPER ALLOY T=0.15mm	Contact Area: See Note Solder tail Area: Sn 100u" Under-Plating: Ni 50u"
2	Shell	2	Copper Alloy T=0.30mm	Over Plating: See Note
1	Housing	1	HIGH TEMPERATURE THERMOPLASTICS	Color:Black
APPROVED	CHECKED	DESIGN	DRAWN	PART NO.
DESCRIPTION			HDMI TYPE D FEMALE DIP SMT TYPE	
DRAWING NO.			REV E	

E	确定料号	11'-07-06	QUALITY SYMBOLS	UNIT	SCALE	TOLERANCES
D	外壳增加扣位, 脚改短配合PCB	10'-12-22	■: CRITICAL	mm	3:1	DIM. ±0.30
C	端子改短配合 及塑胶槽加平	10'-05-27	⊠: MAJOR			ANGLE: 3°
A	图面发行	09'-10-23	▽: ZERO DEFECT			
REV	DESCRIPTION	DATE	S.P.C			