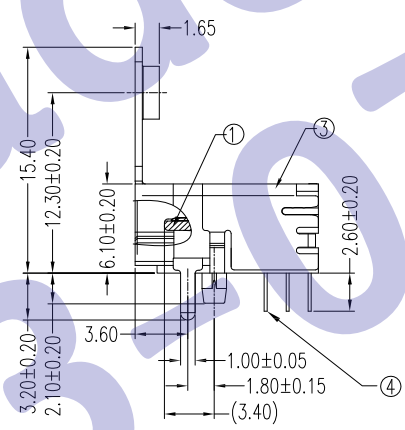
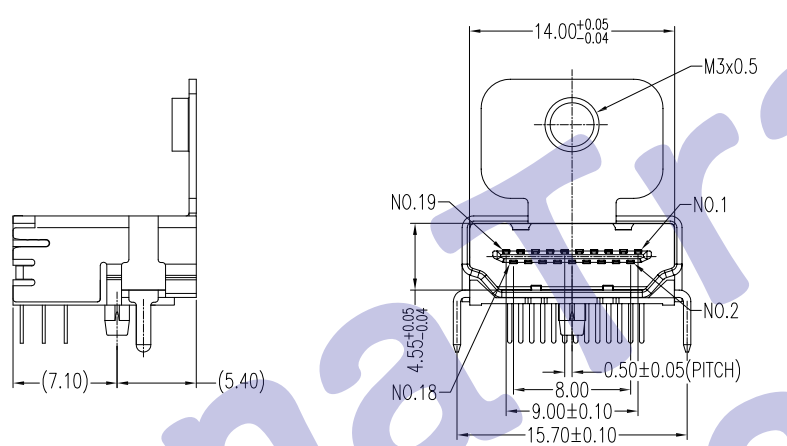
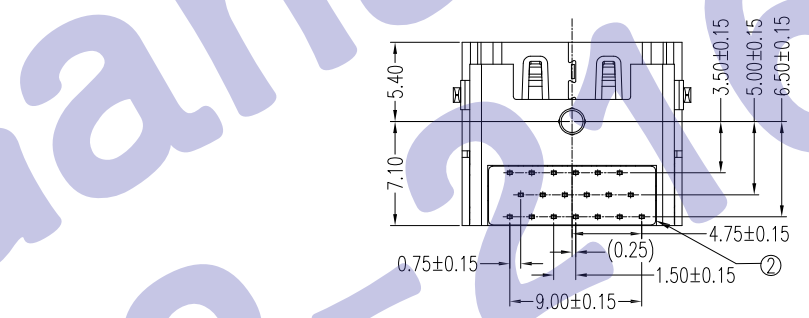


RECOMMENDED PCB LAYOUT
SCALE 3:1



NOTE:
AD3PBI19*0
↑
1.Contact Area Plating:
G: Au G/F
D: Au 15u"



4	Terminal	Copper Alloy T=0.20mm	Contact Area: See Note Solder-tail Area: Sn 100u" Under-Plating: Ni 50u"	ADB-B01
3	Shell	Copper Alloy T=0.50mm	Over-Plating: Ni 100u"	
2	Stopper	LCP+30%G.F., UL 94V-0	Color:Black	
1	Housing	LCP+30%G.F., UL 94V-0	Color:Black	

A	C	修改错误标示: 0.25 改为 0.20	'11-10-25	QUALITY SYMBOLS	UNIT	SCALE	TOLERANCES
	B	外壳脚加长为3.2mm	'10-10-23	CRITICAL	mm	2 : 1	DIM. ± 0.20
	A	图面发行	'09-12-09	MAJOR			ANGLE: 1°
	REV	DESCRIPTION	DATE	ZERO DEFECT	S.P.C		

APPROVED	CHECKED	DESIGN	DRAWN	PART NO.	REMARKS	PART NOTES
				DESCRIPTION	HDMI A/F/DIP/3ROWS/FLANGE	SHT 1/1
				DRAWING NO.	【客户用图】	REV C