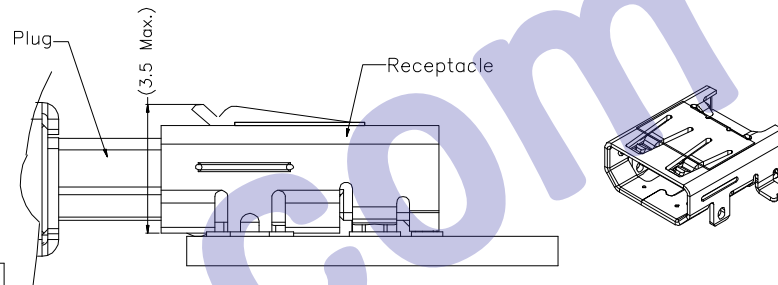


PIN	SIGNAL ASSIGNMENT
1	HOT PLUG DETECT
3	TMDS DATA2+
5	TMDS DATA2-
7	TMDS DATA1 SHIELD
9	TMDS DATA0+
11	TMDS DATA0-
13	TMDS CLOCK SHIELD
15	CEC
17	SCL
19	+5V Power

PIN	SIGNAL ASSIGNMENT
2	UTILITY
4	TMDS DATA2 SHIELD
6	TMDS DATA1+
8	TMDS DATA1-
10	TMDS DATA0 SHIELD
12	TMDS CLOCK+
14	TMDS CLOCK-
16	DDC/CEC GROUND
18	SDA

CONNECTION	SIGNALS
FIRST MAKE	TYPE D CONNECTOR
SECOND MAKE	CONNECTOR SHELL
THIRD MAKE	PINS 1-18
	PIN19(+5V POWER)



INCLUDING LATCH PROTRUSION DURING MATING

NOTE:

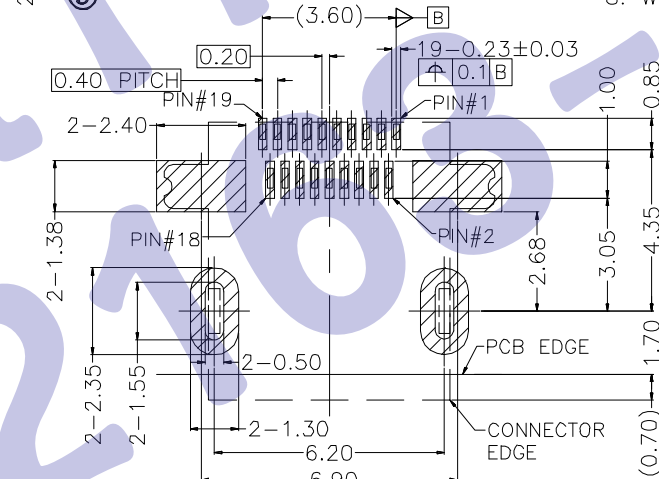
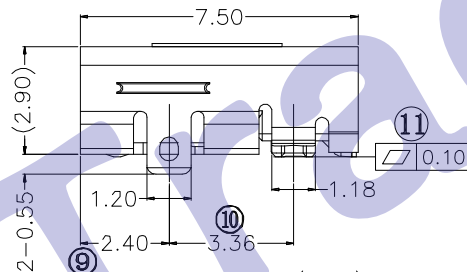
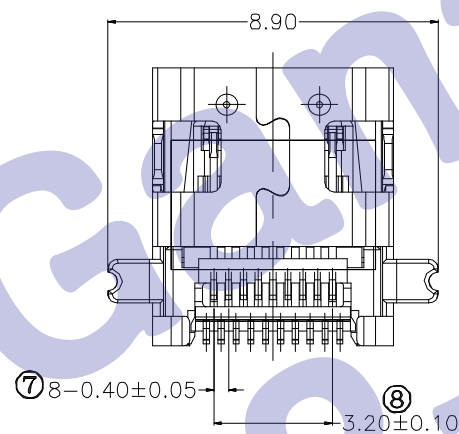
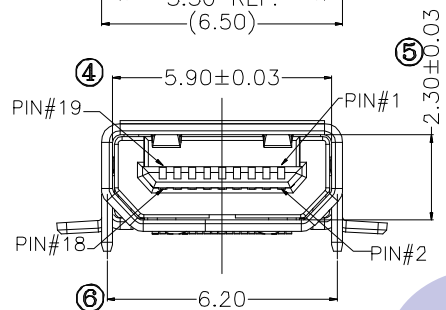
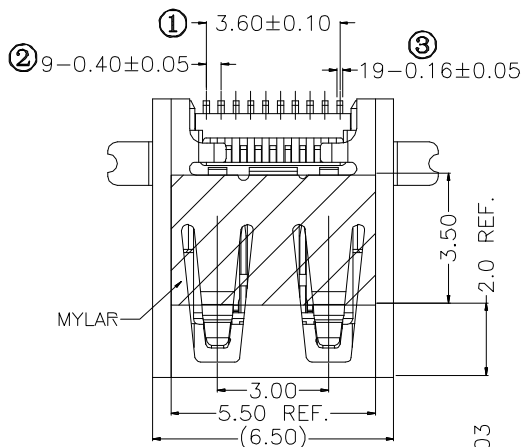
- CONTACT CURRENT RATING: 0.3 AMPERES.
- VOLTAGE: 40 VAC MAXIMUM.
- DIELECTRIC WITHSTANDING VOLTAGE:  
UNMATED CONNECTORS, APPLY: 250V AC(RMS.)  
MATED CONNECTOR, APPLY: 150V AC(RMS.)
- CONTACT RESISTANCE: 10 MILLIOHMS MAXIMUM.
- INSULATION RESISTANCE: 100 MEGOHMS MINIMUM.
- OPERATING TEMPERATURE: -25°C~80°C.
- INSERTION FORCE: 44.1N MAXIMUM.
- WITHDRAWAL FORCE: 5~25N. AFTER 5,000 CYCLES MATING 3~25N

NOTE:

DD5PAM19\*0-\*

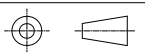
Contact Area Plating:  
G: Au G/F  
D: Au 15u"  
Packing:  
T:Tray  
R:Tape Reel  
S:Vacuum

ITEM	TITLE	MATERIAL	DESCRIPTION	REMARK
1	TERMINAL	COPPER ALLOY C5210	CONTACT AREA:AU(SEE P/N); SOLDER AREA:AU 1U" MIN.	T=0.12
2	INSULATOR	LCP	UL94V-0	BLACK
5	SHELL	STAINLESS STEEL SUS304	PLATING:HALF-BRIGHT TIN	T=0.30
6	MYLAR		TRANSLUCENCY	1PC



RECOMMENDED PCB LAYOUT  
CONNECTOR SIDE(.XX±0.05)

QUALITY SYMBOLS  
■: CRITICAL  
∇: ZERO DEFECT  
☒: MAJOR  
∇: S.P.C



UNIT: mm  
SCALE: 2.5 : 1  
TOLERANCES: DIM. ± 0.20  
ANGLE: 3°

ITEM	DESC	MATERIAL	REMARKS
APPROVED	CHECKED	DESIGN	DRAWN
PART NO.		SHT 1/1	
DESCRIPTION		HDMI TYPE D RECEPTACLE CONNECTOR	
DRAWING NO.		REV A	

REV	DESCRIPTION	DATE
A	图面发行	'09-12-09