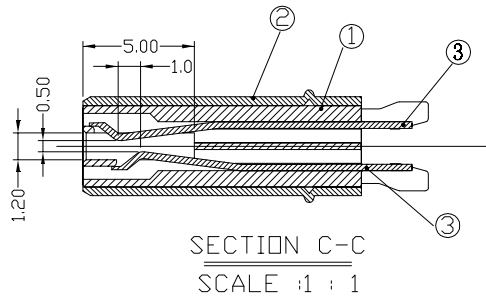
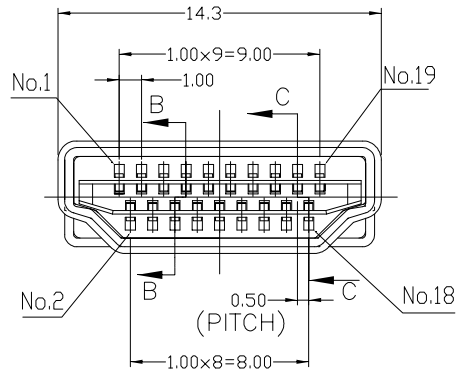
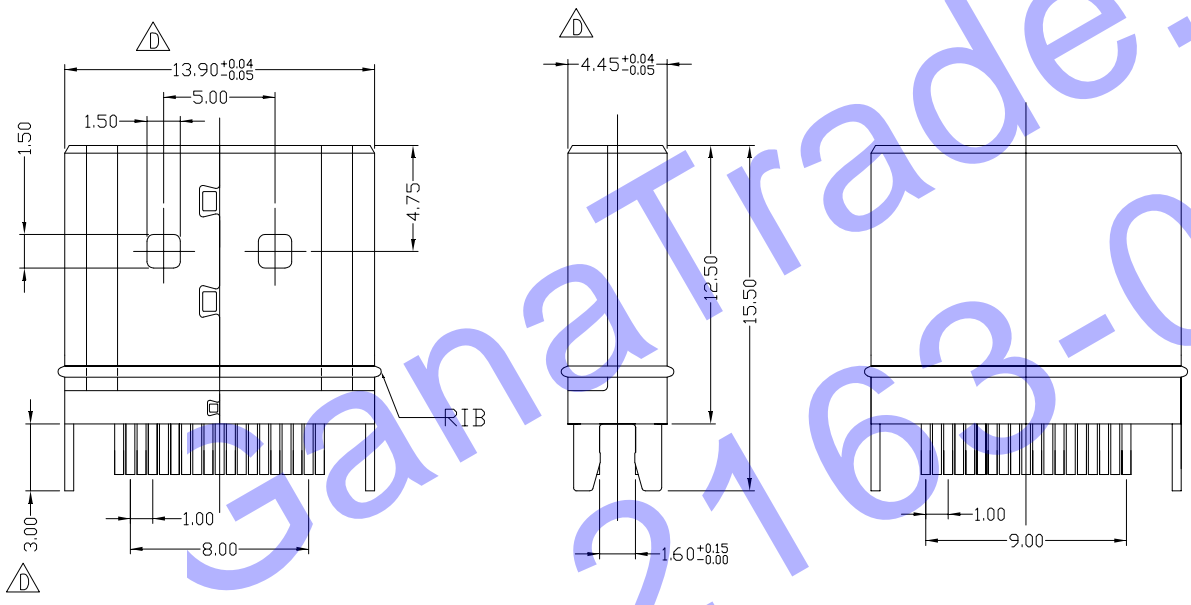


RoHS COMPLIAN



- Note:
- 1.Mechanical:
 - 1.1 Insertion Force: 44.1N Max.
 - 1.2 Withdrawal Force: 9.8N Min.
 - 2.Electrical:
 - 2.1 Contact Current Rating: 0.5A Min.
 - 2.2 Voltage Rating: 40V AC(rms)
 - 2.3 Withstanding Voltage: 300V AC For 1 Minute
 - 2.4 Insulation Resistance: 100 Mega Ohms Min.
 - 2.5 Contact Resistance: 30 MilliOhms Max.
 - 3.Environmental:
 - 3.1 Operating Temperature: -25°C To +85°C



- PART NO:
- A D2 A F 19 A C
- 1.Connector
 - 2.HDMI A PLUG
 - 3.Housing
A:LCP Black
 - 4.Shell Plating
F:Cu 1U" Over Ni 60u"
 - 5.19 Pin
 - 6.Products LOGO
A:Nothingness
 - 7.Contact Plating
C:Cu:15u"

3	Terminal	19	COPPER ALLOY T=0.20mm	Contact Area: See Note Solder-tail Area: Sn 100u" Under-Plating: Ni 50u"
2	Shell	2	Copper Alloy T=0.30mm	Over Plating: See Note
1	Housing	1	HIGH TEMPERATURE THERMOPLASTICS	Color:Black
APPROVED	CHECKED	DESIGN	DRAWN	PART NO.
				AD2AF19AC
				DESCRIPTION
				HDMI A/Plug PCB Type
				DRAWING NO.
				AD1-A01
				REV
				E

E	确定料号	11'-07-06	QUALITY SYMBOLS	UNIT	SCALE	TOLERANCES
D	外壳增加扣位,脚改短配合PCB	10'-12-22	■: CRITICAL	mm	3:1	DIM. ±0.30
C	端子改短配合 及塑胶槽加平	10'-05-27	☒: MAJOR			ANGLE: 3°
A	图面发行	09'-10-23	▽: ZERO DEFECT	HDC电子有限公司		
REV	DESCRIPTION	DATE	▽: S.P.C			