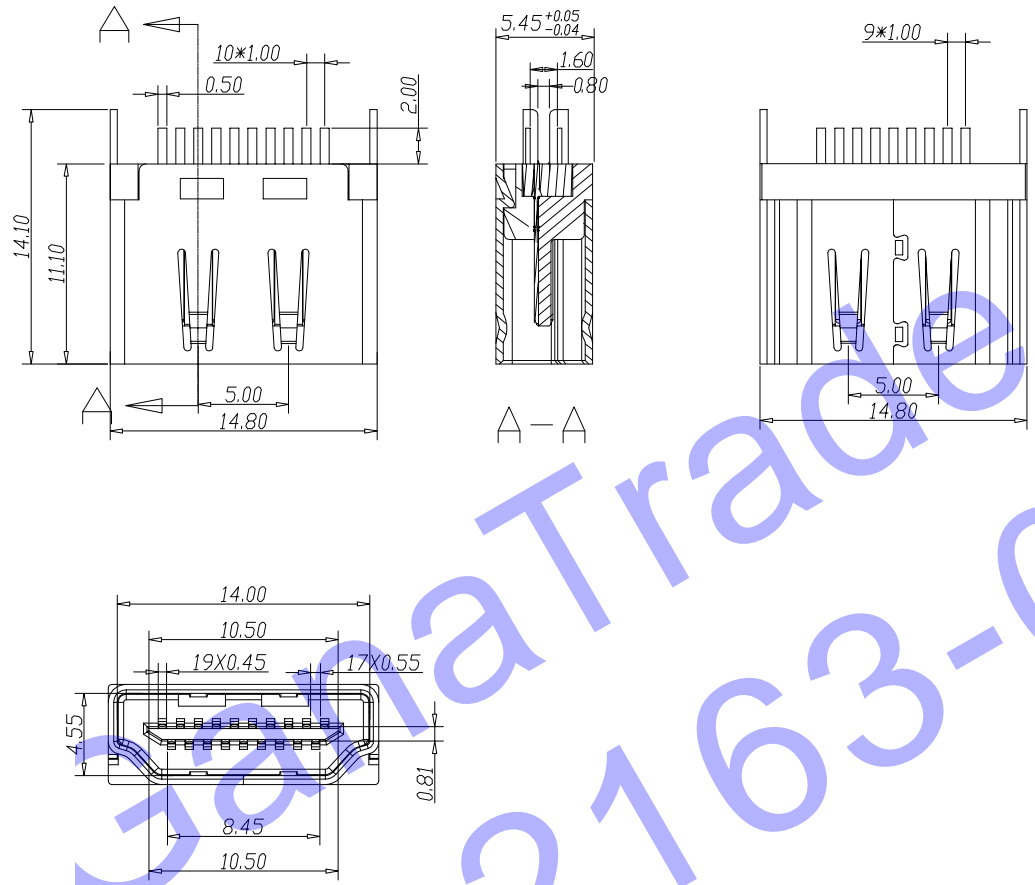


RoHS COMPLIANT



NOTE :

- SPECIFICATION:
 - CURRENT RATING: 0.5 Amp Max.
 - VOLTAGE RATING: 40 V ac(r.m.s) Max.
 - CONTACT RESISTANCE: 10m ohms Max.mated
 - INSULATION RESISTANCE: 100M ohms Min.
 - DIELECTRIC WITHSTANDING VOLTAGE: AC 500V Min. (for 1 minute)
 - OPERATION TEMPERATURE RANGE: -25°C~85°C
- MECHANICAL
 - INSERTION FORCE: 4.5KGF MAXMUM
 - WITHDRAWAL FORCE: 1.0KGF MINIMUM; 4.0KGF MAXMUM

3	HOUSING	3	HIGH TEMPERATURE THERMOPLASTICS,UL94V-0	
2	CONTACTS	19	COPPER ALLOY	GOLD/TIN OVER NICKEL
1	SHELL	1	COPPER ALLOY	NICKEL OR GOLD PLATED
ITEM	NAMF	Q'TY	MATERIAL	FINISH

E	确定料号	11'-07-06	QUALITY SYMBOLS	UNIT	SCALE	TOLERANCES	ITEM	DESC	Q'Y	MATERIAL	REMARKS	PART REMARKS
D	外壳增加扣位,脚改短配合PCB	10'-12-22	■: CRITICAL	mm	3:1	DIM. ±0.30	APPROVED	CHECKED	DESIGN	DRAWN	PART NO.	AD2AF19AC
C	端子改短配合及塑胶槽加平	10'-05-27	☒: MAJOR			ANGLE: 3°					DESCRIPTION	HDMI A/Plug PCB Type
A	图面发行	09'-10-23	▽: ZERO DEFECT								DRAWING NO.	AD2-A01
REV	DESCRIPTION	DATE	S.P.C								REV	1/1

HDC电子有限公司

【客户用图】