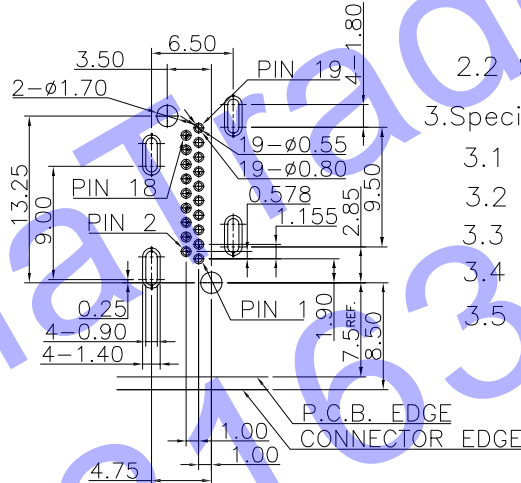
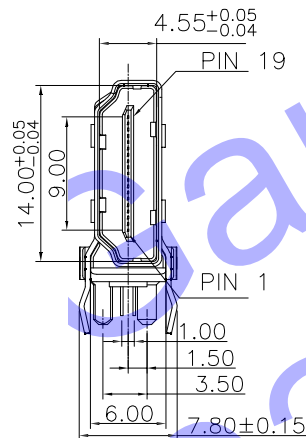
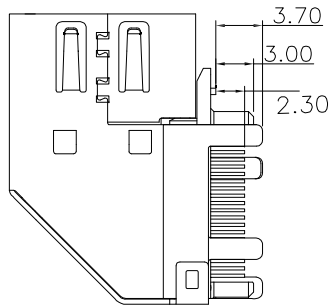
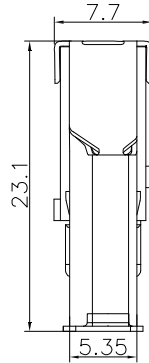
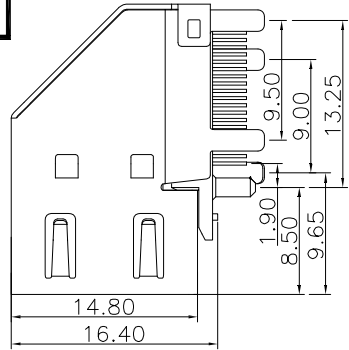


HSF



RECOMMENDED PCB LAYOUT (TOP VIEW)
TOLERANCE: ±0.05mm

NOTE:

1.Material:

- 1.1 Terminal: Brass C2680-1/2H(HV120~140),T=0.2±0.02mm.
- 1.2 Shell : Brass C2680-EH(HV160~175),T=0.4±0.02mm.
- 1.3 Housing : LCP(E130I)+30%.G.F.(UL94-0),Black.

2.Plating:

- 2.1 Terminal: Au plated on contact area (see order information), 100u" Sn plated on solder tail area, both over 50u" min. Ni underplated overall.
- 2.2 Shell : 100u"min. weldable Ni overall.

3.Specifications:

- 3.1 Current Rating: 0.5A
- 3.2 Inital contact resistance excluding conductor resistance: 10mΩ
- 3.3 Dielectric withstanding voltage:500V AC PER minute
- 3.4 Insulation Resistance: 100MΩ MIN DC 500V
- 3.5 Operating temperature:-40°C ~ +105°C.

OPERATION

DRAW

DATE

SCALE

FIT

PART NO.

SSQC16-110121410

HDC电子有限公司

X.X ±0.40

JYHuang

2012/06/29

UNIT

mm

TITLE:

HDMI A TYPE FEMALE

X.XX ±0.25

CHECK

DATE

SIZE

A4

Customer NO.

侧插 无螺孔

X.XXX ±0.15

APPROVE

DATE

SHEET

1/1

Customer NO.

侧插 有螺孔

Angle ± 3°

CHANGE

DATE

PROJ.

Customer NO.

Customer NO.

Customer NO.

DIM TOL

A0 2012/06/29

NEW

REV DATE

MODIFICATION DESCRIPTION

1

2

4

5

7

9

10