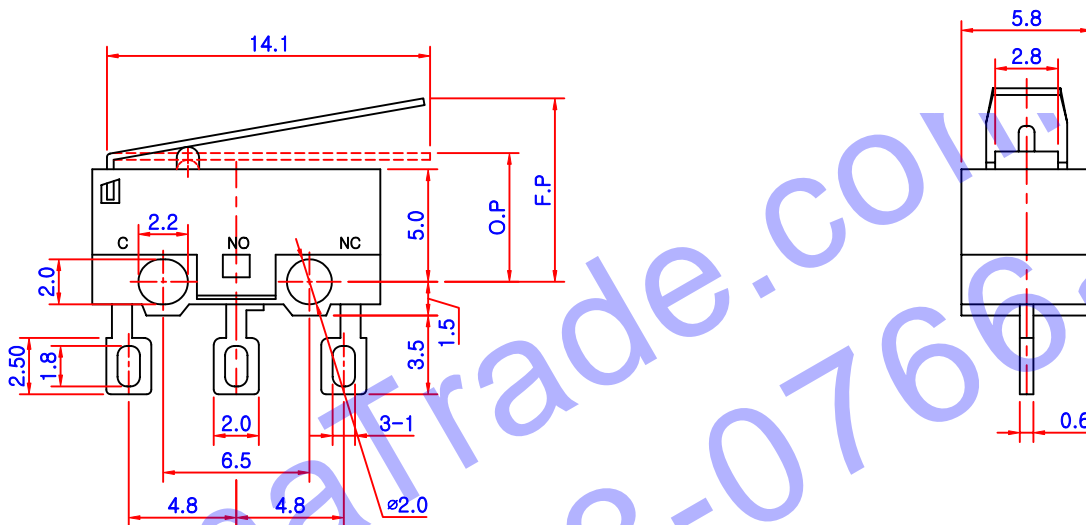
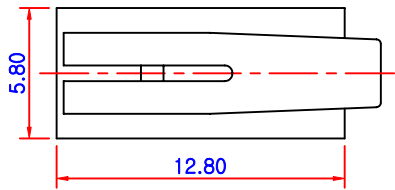
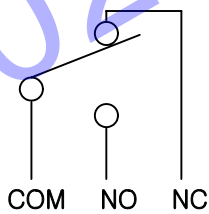


NO	MODEL	L(mm)
1		
2		



CIRCUIT DIAGRAM



OPERATION CHARACTERISTICS

OPERATING FORCE	(O.F)	MAX. 140gf
RELEASE FORCE	(R.F)	MIN. 10gf
PRE TRAVEL	(P.T)	MAX. 0.5
OVER TRAVEL	(O.T)	MIN. 0.2
MOVEMENT DIFFERENTIAL	(M.D)	MAX. 0.15
OPERATING POSITION	(O.P)	5.5±0.3

DRAWN

DESIGNED

CHECKED

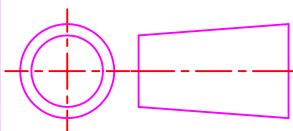
APPROVED

MODEL NO :

Kim jong pil

TITLE : MICRO S/W ASS"Y

SCALE : 5 : 1



FILE NO :

DATE : 2003

DWG NO ;