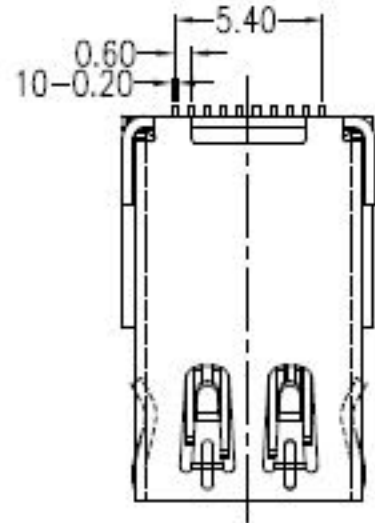


REV.	ECN.NO.	DATE
A	RELEASED	05/14-'09
F	Modifying material	09/24-'13
G	Modifying P.C.B Thickness	10/14-'14

Unit:mm

Part NO.	Dim A	P.C.B Thickness
WMDR-20F1L1PH4	2.15~2.30	1.60
WMDR-20F2L1PH4	3.10	2.50



Top Row			Bottom Row		
Pin NO.	Signal Type	Pin Name	Pin NO.	Signal Type	Pin Name
1	GND	GND	2	In	HotPlug Detect
3	Out	ML_Lane 0(p)	4	CONFIG	CONFIG1
5	Out	ML_Lane 0(n)	6	CONFIG	CONFIG2
7	GND	GND	8	GND	GND
9	Out	ML_Lane 1(p)	10	Out	ML_Lane 3(p)
11	Out	ML_Lane 1(n)	12	Out	ML_Lane 3(n)
13	GND	GND	14	GND	GND
15	Out	ML_Lane 2(p)	16	I/O	AUX_CH(p)
17	Out	ML_Lane 2(n)	18	I/O	AUX_CH(n)
19	GND	GND	20	PWR Out	DP_PWR

NOTES:

***Material**

Body: LCP UL94V-0 Color:Black
 Insert(Molding): LCP UL94V-0 Color:Black
 Retainer: LCP UL94V-0 Color:Black
 Contact: Phosphor Bronze;
 Plating: Au plating on contact area;
 Sn(100u" Min.) plating on solder tail;
 Ni(40u" Min.) underplating overall.
 Shell: Brass;
 Plating: Ni(50u" Min.) Plating .

***Mechanical**

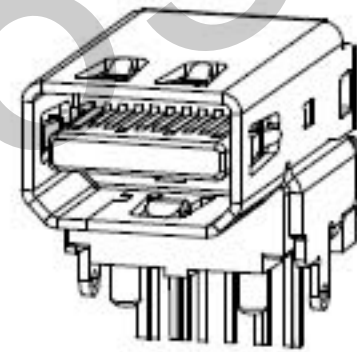
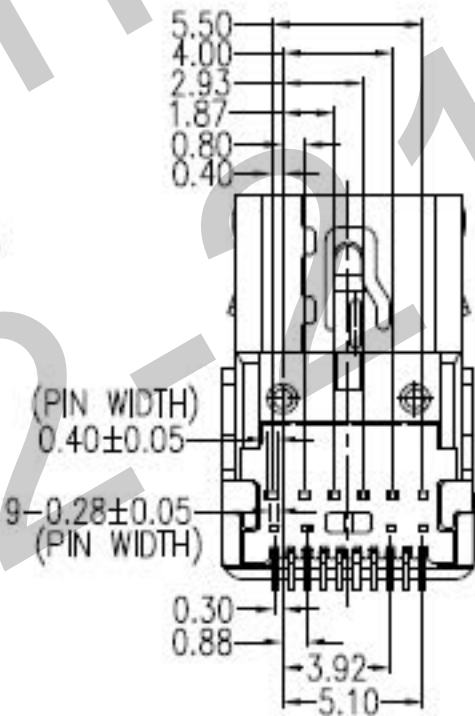
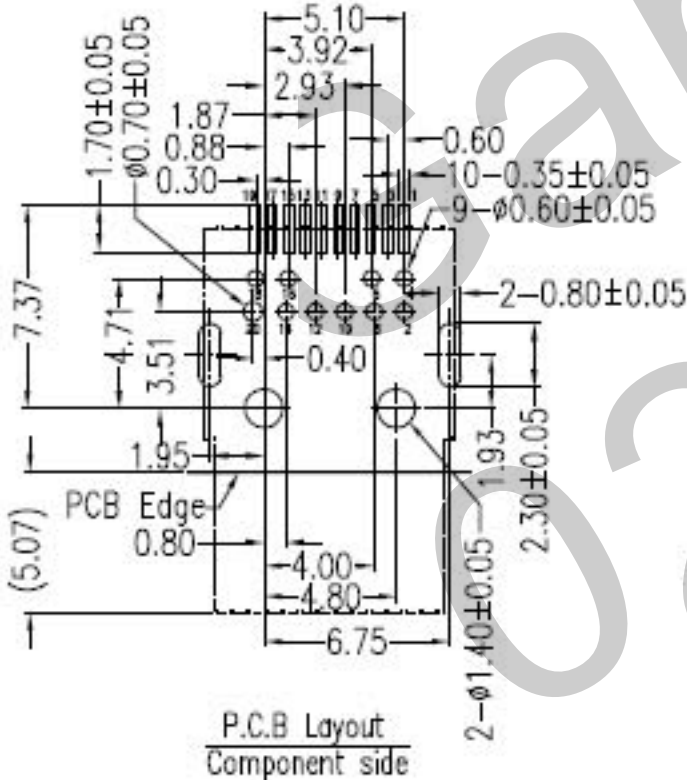
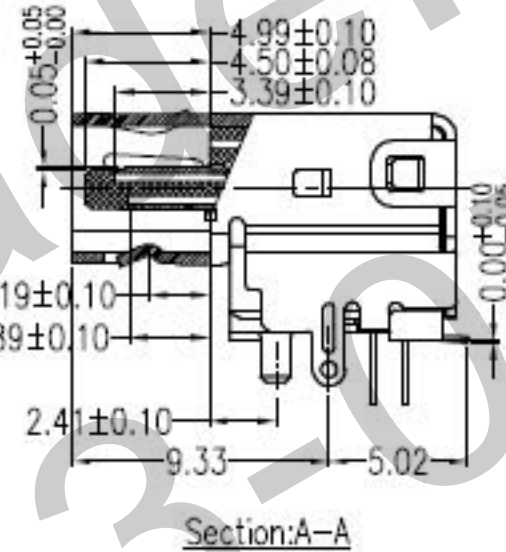
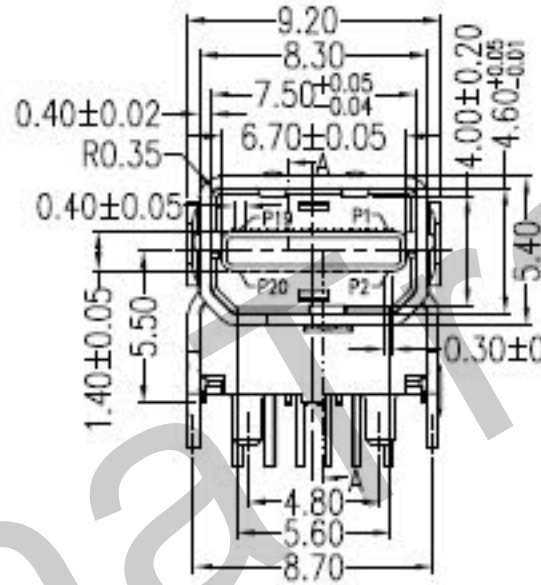
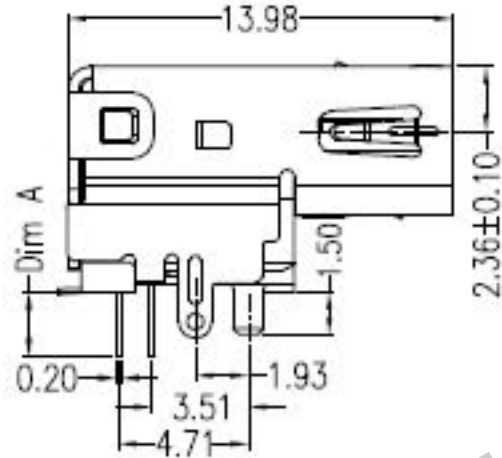
Insertion Force: 4.5Kg Max
 Withdrawal Force: 1.0~4.0Kg Min
 Durability: 10000 Cycles

***Electrical Specification**

Current Rating: 0.5 Ampere per contact
 Contact Resistance: 30 mΩ max.
 Insulation Resistance: 100MΩ Min
 Dielectric Withstanding Voltage: 500V AC Min

***Environmental**

Operating Temperature: -40°C to +85°C.



REV	Modifying P.C.B Thickness			Units	Scale	7:3	Drawing By	Date	HDC 有限公司					
				mm			Zhangtao	10/14-'14	Date	10/14-'14	Sheet	1 of 1	Title	Mini Displayport Receptacle DIP+SMT (APPLE 5.5)
									Reviewed By	Date	Third Angle Projection		Drawing No.	WMDR-20PS-AN-N042
									Huqi	10/14-'14			REV	G
									Approval By	Date				
							Richard	10/14-'14						
									Tolerance Unless Otherwise Specified					
									.X	~ ±0.35				
									.XX	~ ±0.25				
									.XXX	~ ±0.15				
									Angle	~ ± 3°				