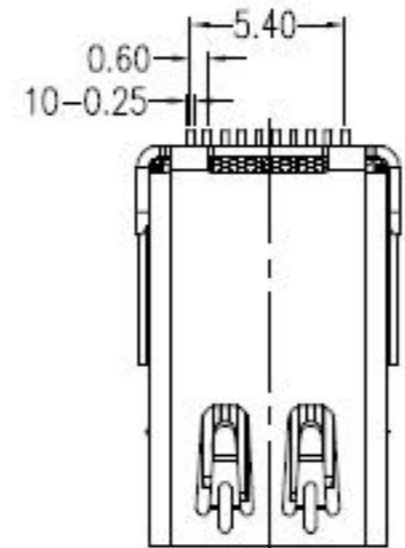


REV	ECN.NO.	DATE
A	RELEASED	06/13-'10
C	Modifying material	09/24-'13
D	Modifying P.C.B Thickness	10/14-'14

Unit:mm

Part NO.	Dim A	P.C.B Thickness
WMDR-20FBL1PHW4	3.10	2.50
WMDR-20FAL1PHW4	2.15~2.30	1.60



Top Row			Bottom Row		
Pin NO.	Signal Type	Pin Name	Pin NO.	Signal Type	Pin Name
1	GND	GND	2	In	HotPlug Detect
3	Out	ML_Lane 0(p)	4	CONFIG	CONFIG1
5	Out	ML_Lane 0(n)	6	CONFIG	CONFIG2
7	GND	GND	8	GND	GND
9	Out	ML_Lane 1(p)	10	Out	ML_Lane 3(p)
11	Out	ML_Lane 1(n)	12	Out	ML_Lane 3(n)
13	GND	GND	14	GND	GND
15	Out	ML_Lane 2(p)	16	I/O	AUX_CH(p)
17	Out	ML_Lane 2(n)	18	I/O	AUX_CH(n)
19	GND	GND	20	PWR Out	DP_PWR

**NOTES:**

**\*Material**

Body: LCP UL94V-0 Color:Black  
 Insert(Molding): LCP UL94V-0 Color:Black  
 Retainer: LCP UL94V-0 Color:Black  
 Contact: Phosphor Bronze;  
 Plating: Au plating on contact area;  
 Sn(100u" Min.) plating on solder tail;  
 Ni(40u" Min.) underplating overall.  
 Shell: Brass;  
 Plating: Ni(50u" Min.) Plating .

**\*Mechanical**

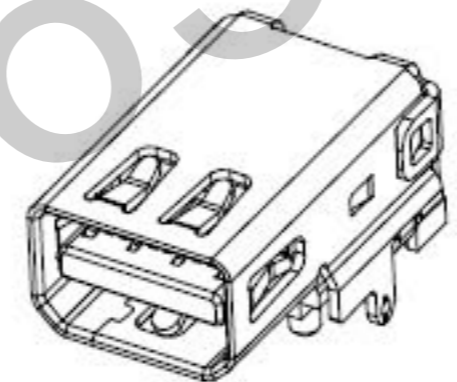
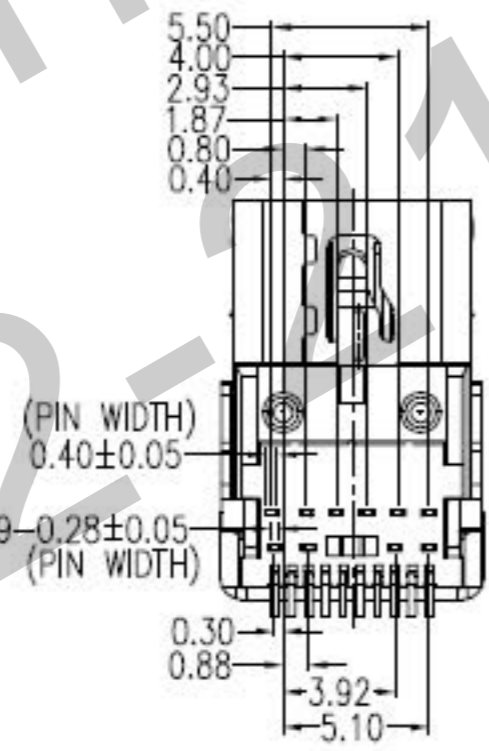
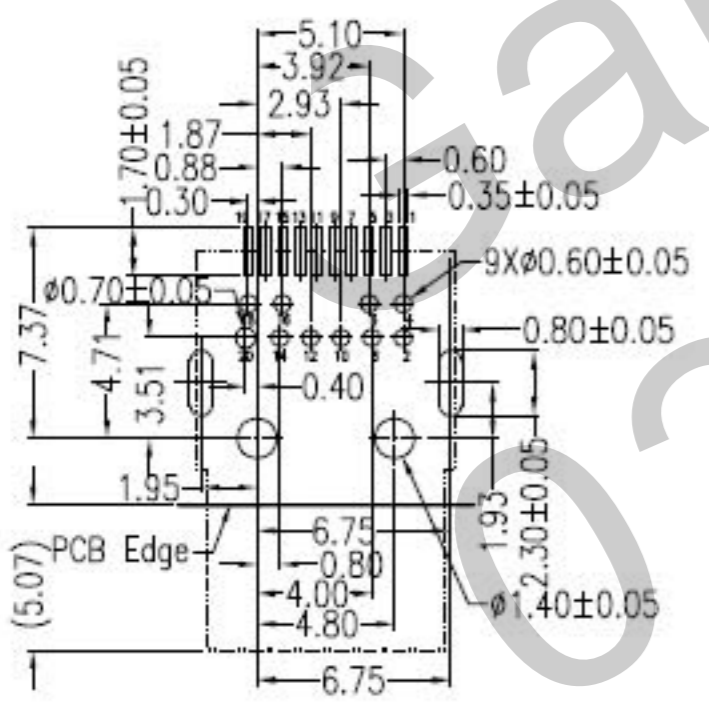
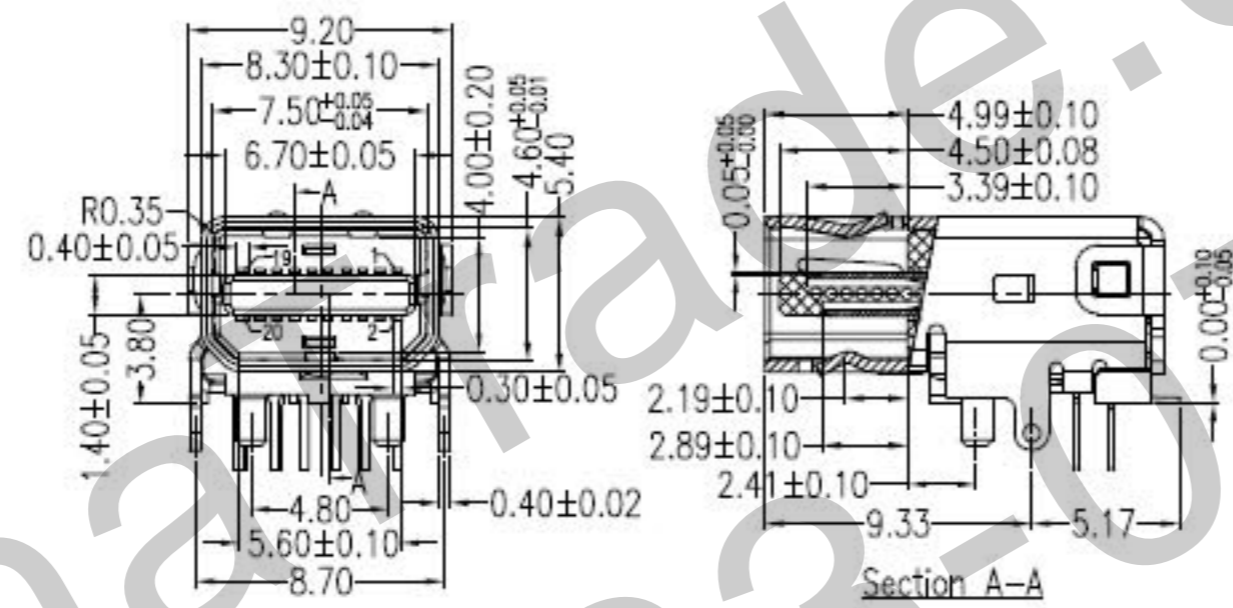
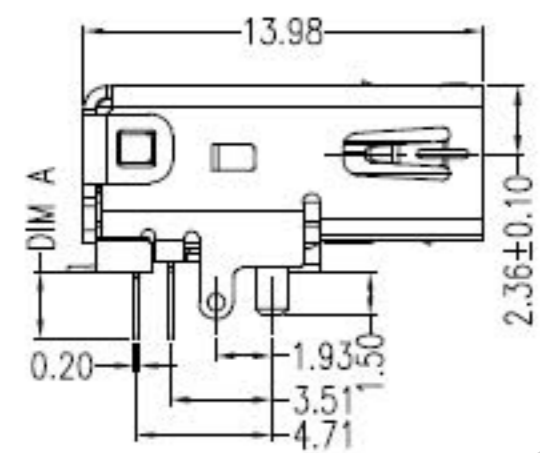
Insertion Force: 4.5Kg Max  
 Withdrawal Force: 1.0~4.0Kg Min  
 Durability: 10000 Cycles

**\*Electrical Specification**

Current Rating: 0.5 Ampere per contact  
 Contact Resistance: 30 mΩ max.  
 Insulation Resistance: 100MΩ Min  
 Dielectric Withstanding Voltage: 500V AC Min

**\*Environmental**

Operating Temperature: -40°c to +85°c.



REV	Modifying P.C.B Thickness		Drawing By		Date		HDC 有限公司	
	Units	mm	Scale	5:2	Zhangtao	10/14-'14	Date	10/14-'14
	Tolerance Unless Otherwise Specified				Reviewed By	Date	Sheet	1 of 1
	.X	~ ±0.35		Huqi	10/14-'14	Title		Mini Displayport Receptacle
	.XX	~ ±0.25		Approval By		Date	Third Angle Projection	DIP+SMT (APPLE 3.8)
	.XXX	~ ±0.15		Richard	10/14-'14	Drawing No.		REV D
	Angle	~ ± 3°						