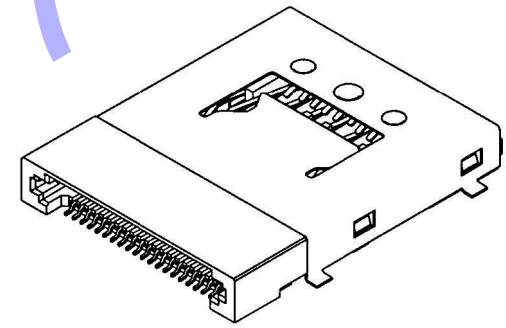


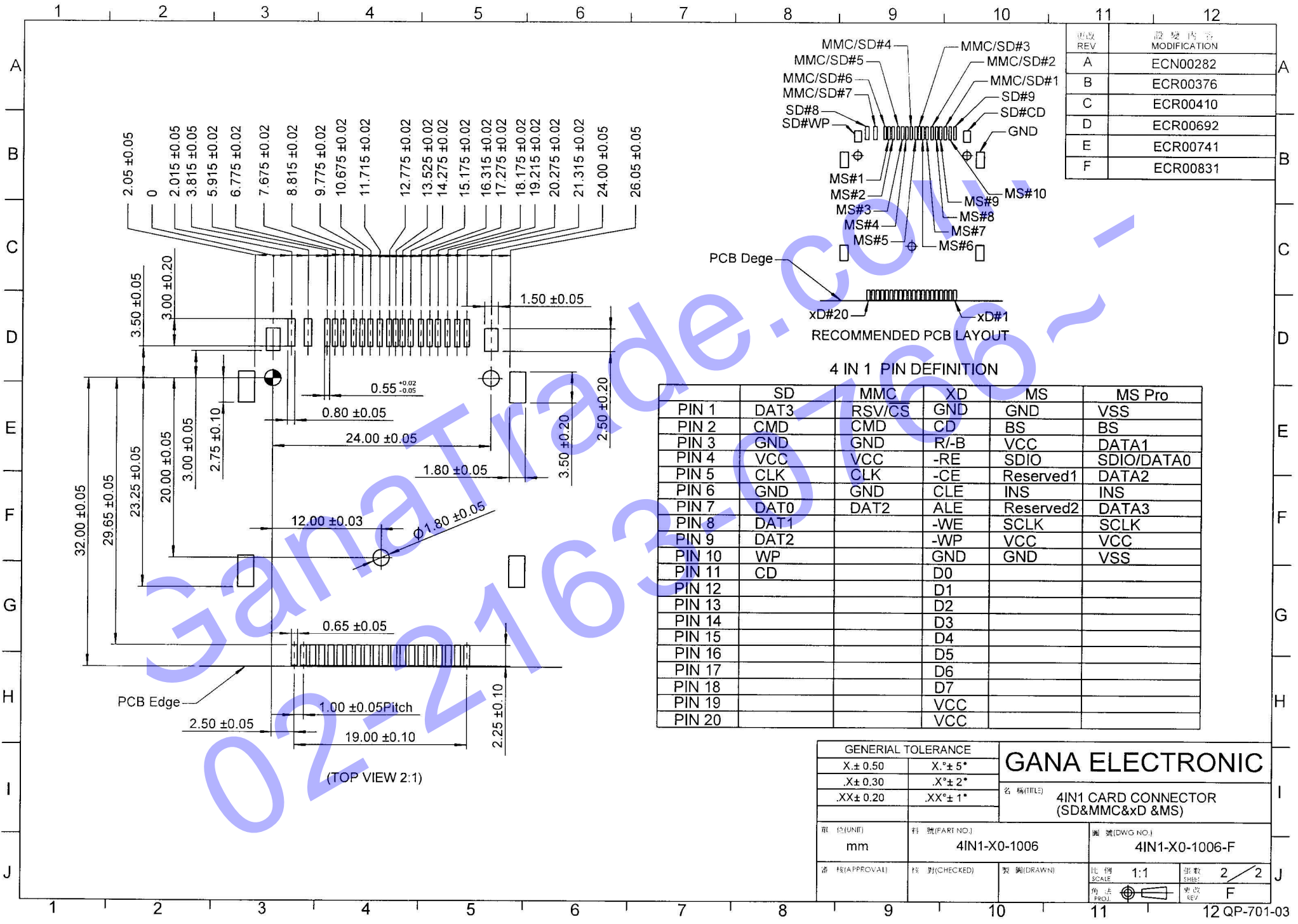
更改 REV	變更內容 MODIFICATION
A	ECN00282
B	ECR00376
C	ECR00410
D	ECR00692
E	ECR00741
F	ECR00831

NOTES:  
 1. MATERIAL:  
 HOUSING: NYLON 9T (UL94V-0), COLOR: BLACK  
 CONTACT: PHOSPHOR BRONZE  
 SHELL: STAINLESS STEEL  
 2. PART NO: 4IN1-X0-1006

PLATING:  
 2: CONTACT AREA: 10μ" Au Plated OVER Ni  
 SOLDER AREA: Tin/Lead Plated OVER Ni  
 B: CONTACT AREA: 10μ" Au Plated OVER Ni  
 SOLDER AREA: Tin Plated OVER Ni



GENERAL TOLERANCE		GANA ELECTRONIC	
X ± 0.50	X.° ± 5°	名稱(TITLE): 4IN1 CARD CONNECTOR (SD&MMC&xD &MS)	
X ± 0.30	.X° ± 2°		
.XX ± 0.20	.XX° ± 1°		
	.XXX° ± 0.5°		
單位(UNIT): mm	料號(PART NO.): 4IN1-X0-1006	圖號(DWG NO.): 4IN1-X0-1006-F	
審核(APPROVAL)	核對(CHECKED)	製圖(DRAWN)	比例 SCALE: 3:2
			張數 SHEET: 1/2
			修改 REV: F



GENERAL TOLERANCE		<b>GANAELECTRONIC</b> 名稱(FILE): 4IN1 CARD CONNECTOR (SD&MMC&xD &MS) 圖號(DWG NO.): 4IN1-X0-1006-F
X ± 0.50	X ° ± 5°	
.X ± 0.30	.X ° ± 2°	
.XX ± 0.20	.XX ° ± 1°	
單位(UNIT): mm	料號(PART NO.): 4IN1-X0-1006	圖號(DWG NO.): 4IN1-X0-1006-F
審核(APPROVAL):	核對(CHECKED):	製圖(DRAWN):
比例(SCALE): 1:1	張數(SHEET): 2/2	角法(ANG):
	更改(REV): F	