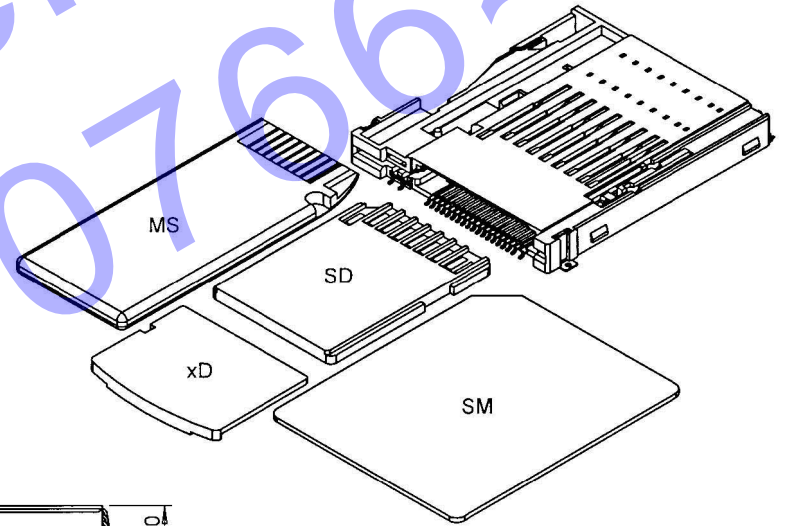
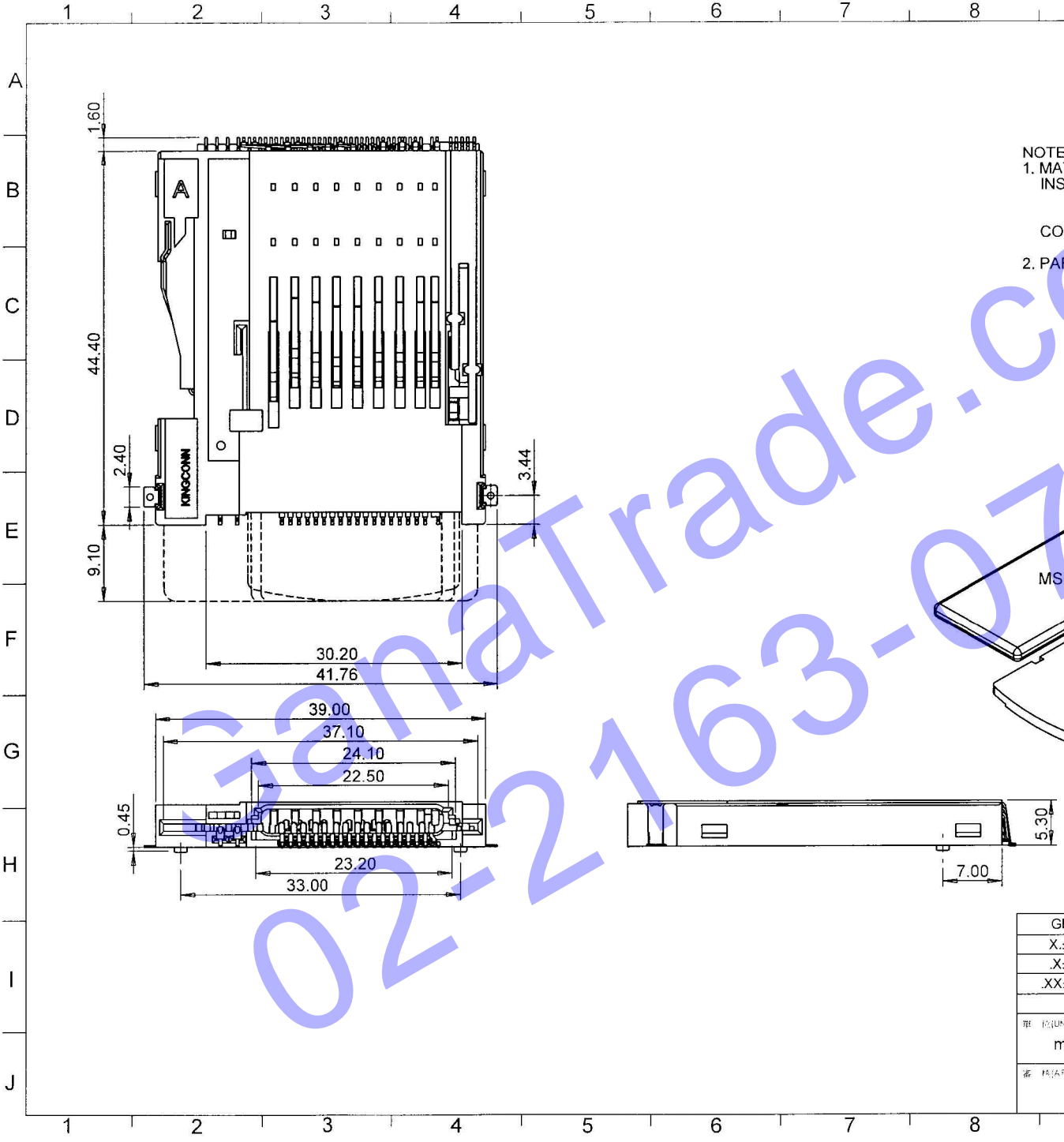


| 變更<br>REV | 變更內容<br>MODIFICATION |
|-----------|----------------------|
| C         | ECN00368             |
| D         | ECN00404             |
| E         | ECN00543             |
| F         | ECN00945             |

NOTES:  
 1. MATERIAL:  
 INSULATOR: HIGH TEMPERATURE THERMOPLASTIC, UL94V-0, COLOR: BLACK.  
 CONTACT: PHOSPHOR BRONZE.  
 2. PART NO: 5IN1-X0-0001  
 PLATING:  
 F CONTACT AREA: Gold Flash Plated OVER Ni  
 SOLDER AREA: Tin Plated OVER Ni  
 B CONTACT AREA: 10µ" Au Plated OVER Ni  
 SOLDER AREA: Tin Plated OVER Ni



| GENERAL TOLERANCE |           |
|-------------------|-----------|
| X ± 0.50          | X° ± 5°   |
| .X ± 0.30         | .X° ± 2°  |
| .XX ± 0.20        | .XX° ± 1° |

|                     |  |
|---------------------|--|
| HDC 有限公司            |  |
| 名稱(TITLE)           |  |
| 5IN1 CARD CONNECTOR |  |

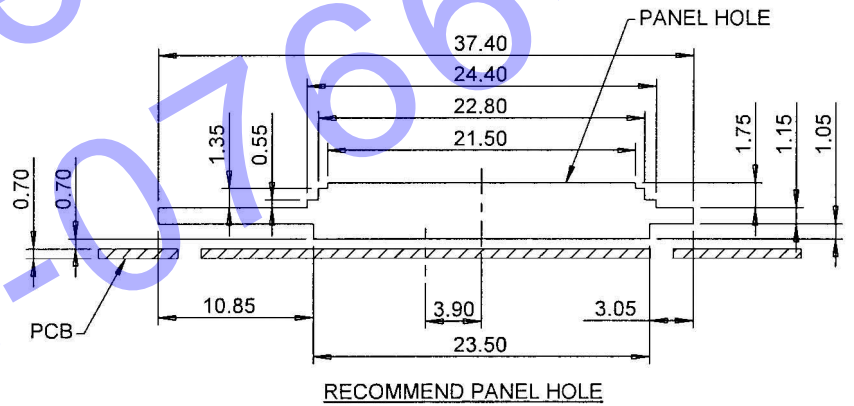
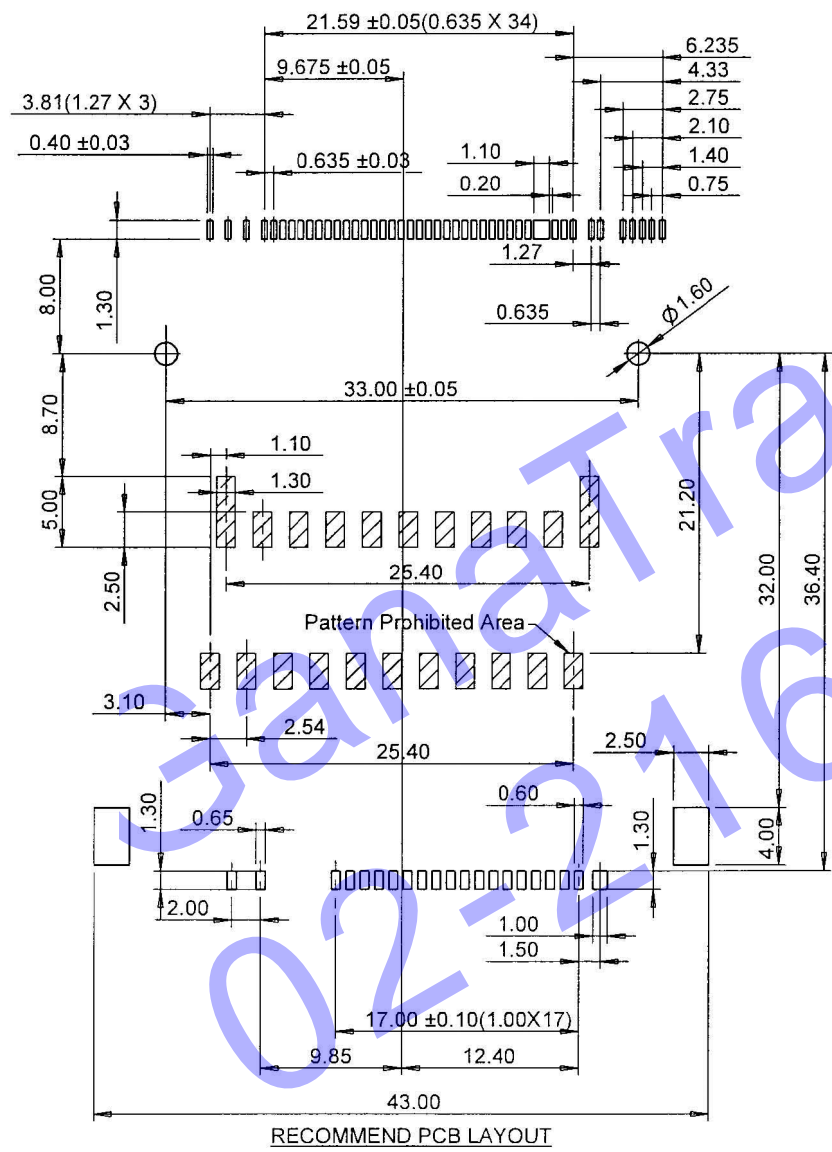
|             |              |                |
|-------------|--------------|----------------|
| 單位(UNIT)    | 料號(PART NO.) | 圖號(DWG NO.)    |
| mm          | 5IN1-X0-0001 | 5IN1-X0-0001-F |
| 審核(APROVAL) | 核對(CHECKED)  | 製圖(DRAWN)      |
|             |              |                |
| 比例 SCALE    | 3:2          | 張數 SHEET       |
| 角注 PROJ.    |              | 1 / 4          |
|             |              | 更改 REV         |
|             |              | F              |

1 2 3 4 5 6 7 8 9 10 11 12

| REV | MODIFICATION |
|-----|--------------|
| C   | ECN00368     |
| D   | ECN00404     |
| E   | ECN00543     |
| F   | ECN00945     |

A  
B  
C  
D  
E  
F  
G  
H  
I  
J

A  
B  
C  
D  
E  
F  
G  
H  
I  
J



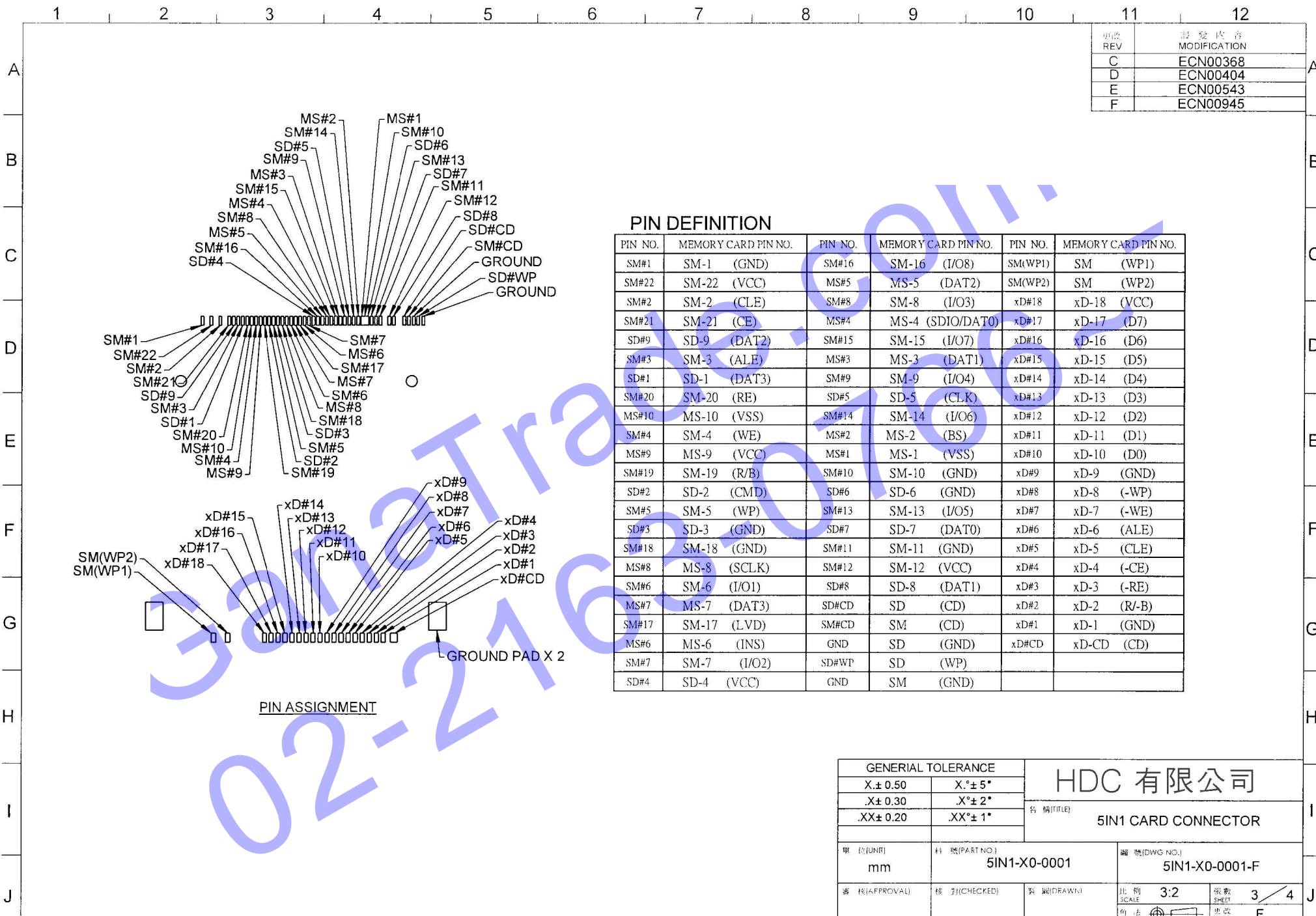
| GENERAL TOLERANCE |            |
|-------------------|------------|
| X ± 0.50          | X ° ± 5°   |
| .X ± 0.30         | .X ° ± 2°  |
| .XX ± 0.20        | .XX ° ± 1° |

HDC 有限公司

名稱(P/N): 51N1 CARD CONNECTOR

|                |                            |                             |
|----------------|----------------------------|-----------------------------|
| 單位(UNIT): mm   | 料號(PART NO.): 51N1-X0-0001 | 圖號(DWG NO.): 51N1-X0-0001-F |
| 審核(APROVAL):   | 核對(CHECKED):               | 製圖(DRAWN):                  |
| 比例(SCALE): 3:2 | 張數(SHEET): 2 / 4           | 修改(REV): F                  |

| REV | MODIFICATION |
|-----|--------------|
| C   | ECN00368     |
| D   | ECN00404     |
| E   | ECN00543     |
| F   | ECN00945     |



**PIN DEFINITION**

| PIN NO. | MEMORY CARD PIN NO. | PIN NO. | MEMORY CARD PIN NO. | PIN NO. | MEMORY CARD PIN NO. |
|---------|---------------------|---------|---------------------|---------|---------------------|
| SM#1    | SM-1 (GND)          | SM#16   | SM-16 (I/O8)        | SM(WP1) | SM (WP1)            |
| SM#22   | SM-22 (VCC)         | MS#5    | MS-5 (DAT2)         | SM(WP2) | SM (WP2)            |
| SM#2    | SM-2 (CLE)          | SM#8    | SM-8 (I/O3)         | xD#18   | xD-18 (VCC)         |
| SM#21   | SM-21 (CE)          | MS#4    | MS-4 (SDIO/DAT0)    | xD#17   | xD-17 (D7)          |
| SD#9    | SD-9 (DAT2)         | SM#15   | SM-15 (I/O7)        | xD#16   | xD-16 (D6)          |
| SM#3    | SM-3 (ALE)          | MS#3    | MS-3 (DAT1)         | xD#15   | xD-15 (D5)          |
| SD#1    | SD-1 (DAT3)         | SM#9    | SM-9 (I/O4)         | xD#14   | xD-14 (D4)          |
| SM#20   | SM-20 (RE)          | SD#5    | SD-5 (CLK)          | xD#13   | xD-13 (D3)          |
| MS#10   | MS-10 (VSS)         | SM#14   | SM-14 (I/O6)        | xD#12   | xD-12 (D2)          |
| SM#4    | SM-4 (WE)           | MS#2    | MS-2 (BS)           | xD#11   | xD-11 (D1)          |
| MS#9    | MS-9 (VCC)          | MS#1    | MS-1 (VSS)          | xD#10   | xD-10 (D0)          |
| SM#19   | SM-19 (R/B)         | SM#10   | SM-10 (GND)         | xD#9    | xD-9 (GND)          |
| SD#2    | SD-2 (CMD)          | SD#6    | SD-6 (GND)          | xD#8    | xD-8 (-WP)          |
| SM#5    | SM-5 (WP)           | SM#13   | SM-13 (I/O5)        | xD#7    | xD-7 (-WE)          |
| SD#3    | SD-3 (GND)          | SD#7    | SD-7 (DAT0)         | xD#6    | xD-6 (ALE)          |
| SM#18   | SM-18 (GND)         | SM#11   | SM-11 (GND)         | xD#5    | xD-5 (CLE)          |
| MS#8    | MS-8 (SCLK)         | SM#12   | SM-12 (VCC)         | xD#4    | xD-4 (-CE)          |
| SM#6    | SM-6 (I/O1)         | SD#8    | SD-8 (DAT1)         | xD#3    | xD-3 (-RE)          |
| MS#7    | MS-7 (DAT3)         | SD#CD   | SD (CD)             | xD#2    | xD-2 (R/-B)         |
| SM#17   | SM-17 (LVD)         | SM#CD   | SM (CD)             | xD#1    | xD-1 (GND)          |
| MS#6    | MS-6 (INS)          | GND     | SD (GND)            | xD#CD   | xD-CD (CD)          |
| SM#7    | SM-7 (I/O2)         | SD#WP   | SD (WP)             |         |                     |
| SD#4    | SD-4 (VCC)          | GND     | SM (GND)            |         |                     |

**PIN ASSIGNMENT**

| GENERAL TOLERANCE |         |
|-------------------|---------|
| X±0.50            | X.°±5°  |
| X±0.30            | .X°±2°  |
| .XX±0.20          | .XX°±1° |

HDC 有限公司

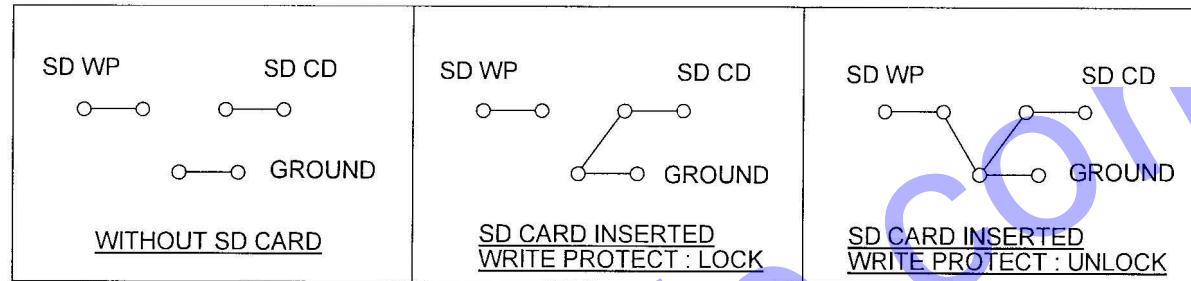
名稱(TITLE)  
5IN1 CARD CONNECTOR

|                  |                              |                               |
|------------------|------------------------------|-------------------------------|
| 單位(UNIT)<br>mm   | 料號(PART NO.)<br>5IN1-X0-0001 | 圖號(DWG NO.)<br>5IN1-X0-0001-F |
| 審核(APROVAL)      | 核對(CHECKED)                  | 製圖(DRAWN)                     |
| 比例(SCALE)<br>3:2 | 張數(SHEET)<br>3/4             | 更改(REV)<br>F                  |

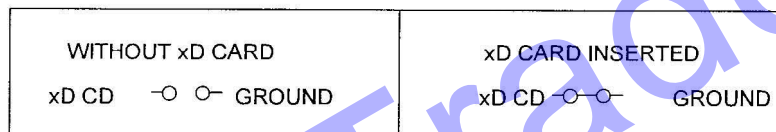


| REV | MODIFICATION |
|-----|--------------|
| C   | ECN00368     |
| D   | ECN00404     |
| E   | ECN00543     |
| F   | ECN00945     |

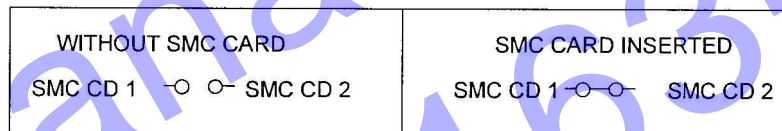
SD CIRCUIT :



XD CIRCUIT :



SMC CIRCUIT :



| GENERAL TOLERANCE |                              | HDC 有限公司                         |                   |
|-------------------|------------------------------|----------------------------------|-------------------|
| X ± 0.50          | X.* ± 5*                     | 名稱(TITLE)<br>5IN1 CARD CONNECTOR |                   |
| X ± 0.30          | .X* ± 2*                     |                                  |                   |
| .XX ± 0.20        | .XX* ± 1*                    |                                  |                   |
| 單位(UNIT)<br>mm    | 料號(PART NO.)<br>5IN1-X0-0001 | 圖號(DWG NO.)<br>5IN1-X0-0001-F    |                   |
| 審核(APROVAL)       | 核對(CHECKED)                  | 製圖(DRAWN)                        | 比例 SCALE<br>3:2   |
|                   |                              |                                  | 張數 SHEET<br>4 / 4 |
|                   |                              |                                  | 修改 REV<br>F       |