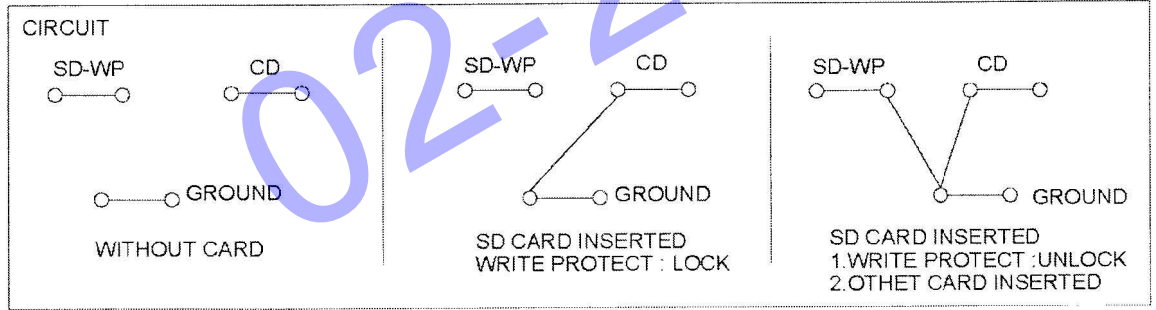
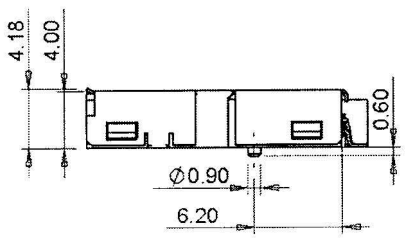
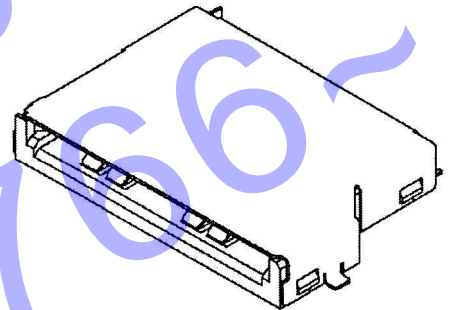


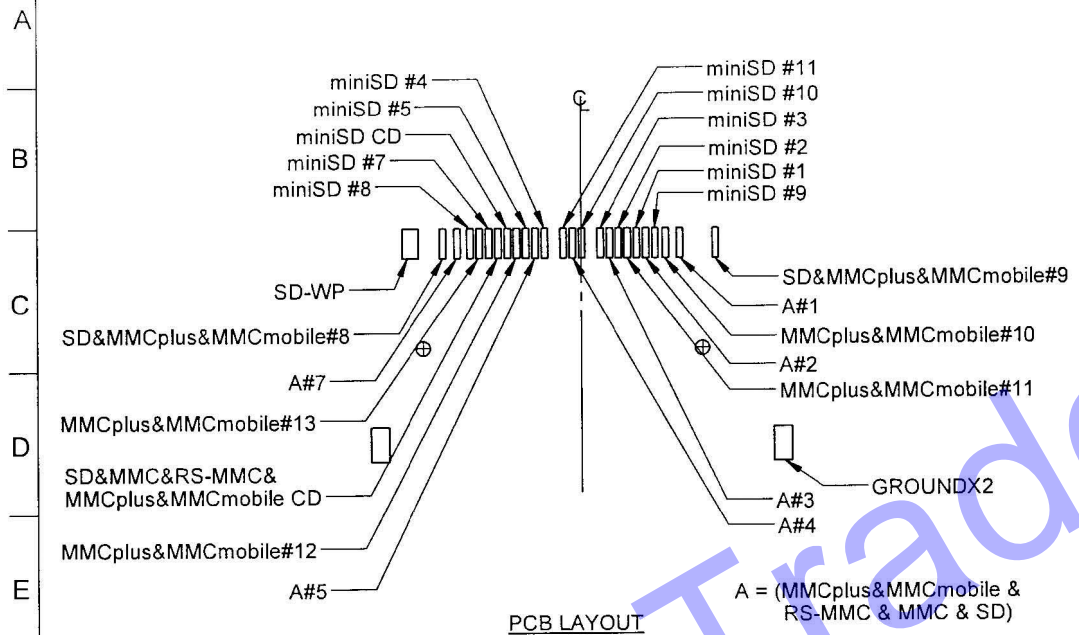
REV	變更內容 MODIFICATION
A	ECN01258
B	ECN01265
C	ECN01346

NOTES:  
 1. MATERIAL:  
 INSULATOR: HIGH TEMPERATURE THERMOPLASTIC, UL94V-0.  
 COLOR: BLACK  
 CONTACT: PHOSPHOR BRONZE.  
 PLATING:  
 CONTACT AREA: 10μ" Au Plated OVER Ni  
 SOLDER AREA: Tin Plated OVER Ni



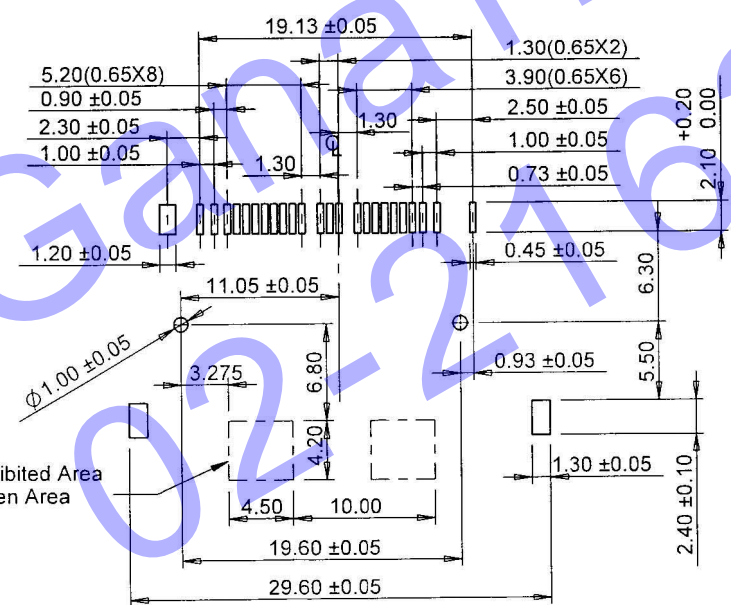
GENERAL TOLERANCE		HDC 有限公司	
X ± 0.50	X° ± 5°	名稱(TITLE) 6 IN 1 CARD CONNECTOR(SD & miniSD & MMC & RS-MMC & MMCplus & MMCmobile)	
X ± 0.30	X° ± 2°		
XX ± 0.20	XX° ± 1°		
單位(UNIT) mm	料號(PART NO.) 7SDMM-B0-2210	圖號(DWG NO.) 7SDMM-B0-2210-C	比例(SCALE) 3:1
審核(APPROVAL)	校對(CHECKED)	製圖(DRAWN)	繪圖(EST) 1/2
			圖章(CHK) 1/2

REV	變更內容 MODIFICATION
A	ECN01258
B	ECN01265
C	ECN01346



PIN ASSIGNMENT

PIN NO.	MEMORY CARD PIN NO.
MMCplus&MMCmobile&MMC&RS-MMC&SD#1	(RSV/DAT3)
MMCplus&MMCmobile&MMC&RS-MMC&SD#2	(CMD)
MMCplus&MMCmobile&MMC&RS-MMC&SD#3	(GND)
MMCplus&MMCmobile&MMC&RS-MMC&SD#4	(VCC)
MMCplus&MMCmobile&MMC&RS-MMC&SD#5	(CLK)
MMCplus&MMCmobile&MMC&RS-MMC&SD#7	(DAT0)
MMCplus&MMCmobile&SD#8	(DAT1)
MMCplus&MMCmobile&SD#9	(DAT2)
MMCplus&MMCmobile#10	(DAT4)
MMCplus&MMCmobile#11	(DAT5)
MMCplus&MMCmobile#12	(DAT6)
MMCplus&MMCmobile#13	(DAT7)
miniSD#1	(CD/DAT3)
miniSD#2	(CMD)
miniSD#3	(GND)
miniSD#4	(VCC)
miniSD#5	(CLK)
miniSD#7	(DAT0)
miniSD#8	(DAT1)
miniSD#9	(DAT2)
miniSD#10	(NC)
miniSD#11	(NC)



GENERAL TOLERANCE	
X ± 0.50	X ° ± 5°
.X ± 0.30	X ° ± 2°
.XX ± 0.20	.XX ° ± 1°

HDC 有限公司

名稱(PT. E)  
6 IN 1 CARD CONNECTOR(SD & miniSD & MMC & RS-MMC & MMCplus & MMCmobile)

單位(UNIT)	料號(PART NO.)	圖號(DWG NO.)
mm	7SDMM-B0-2210	7SDMM-B0-2210-C
審核(APROVAL)	核對(CHECKED)	製圖(DRAWN)
比例 SCALE	2:1	張數 SHEET
角注 PROJ		第 2 / 2 頁
		零件號 C