

REV.	ECN.NO.	DATE
A	RELEASED	06/13/10
D	Modifying Layout PIN Definition	11/19-'13
E	ADD P.C.B Thickness	10/14-'14

NOTES:

***Material**

Body: LCP UL94V-0 Color:Black
 Insert(Molding): LCP UL94V-0 Color:Black
 Retainer: LCP UL94V-0 Color:Black
 Contact: Phosphor Bronze;
 Plating: Au plating on contact area;
 Sn(100u" Min.) plating on solder tail;
 Ni(40u" Min.) underplating overall.
 Shell: Brass;
 Plating: Ni(50u" Min.) Plating .

***Mechanical**

Insertion Force: 4.5Kg Max
 Withdrawal Force: 1.0~4.0Kg Min
 Durability: 10000 Cycles

***Electrical Specification**

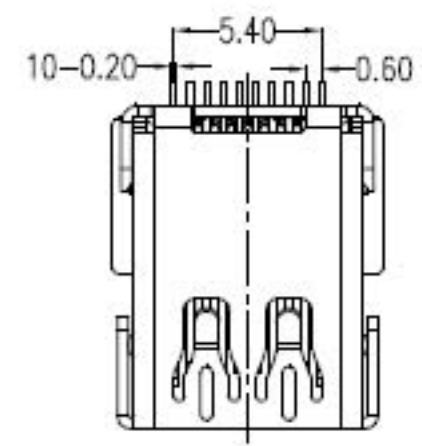
Current Rating: 0.5 Ampere per contact
 Contact Resistance: 30 mΩ max.
 Insulation Resistance: 100MΩ Min
 Dielectric Withstanding Voltage: 500V AC Min

***Environmental**

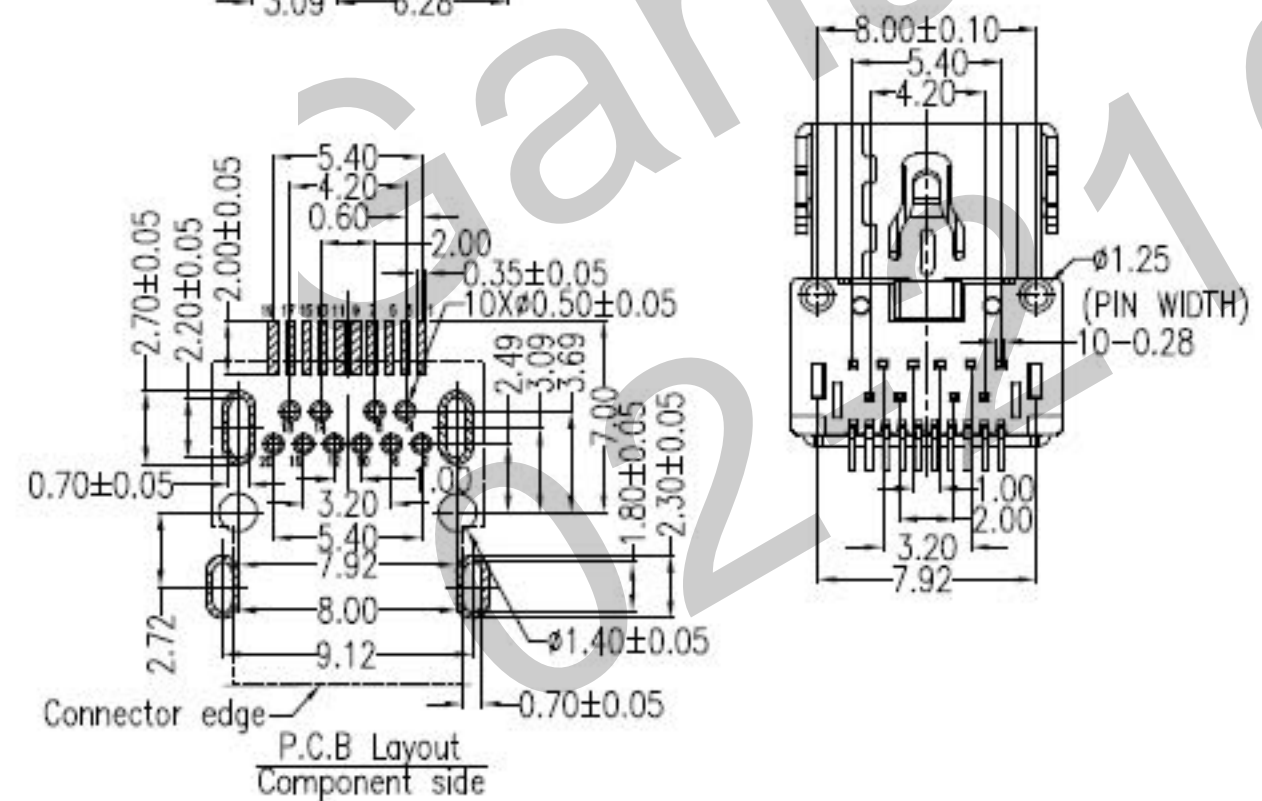
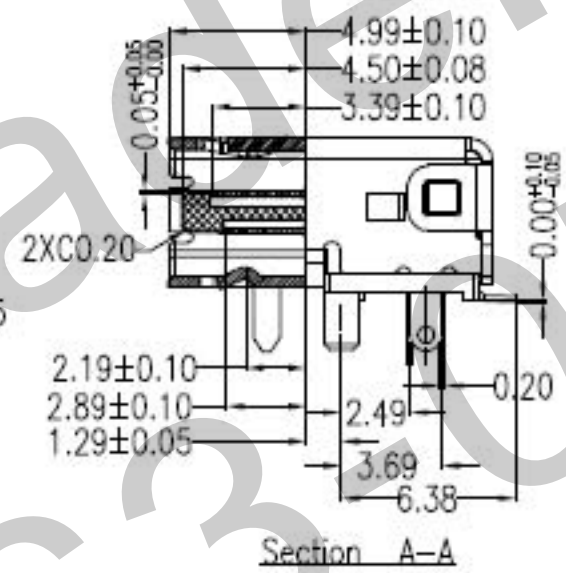
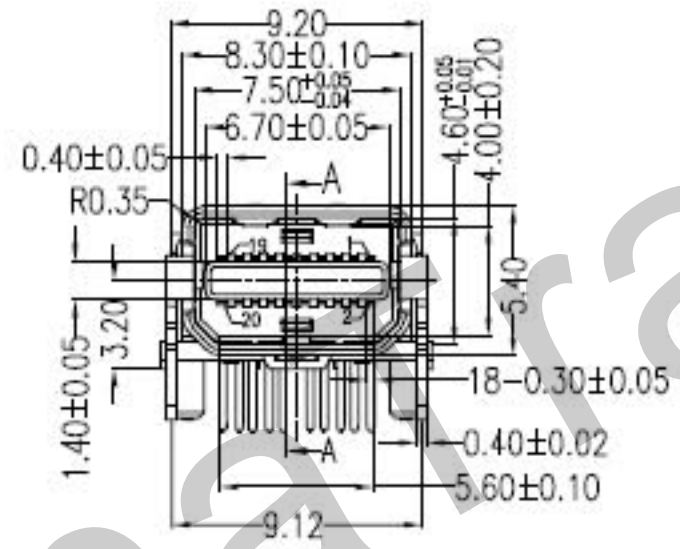
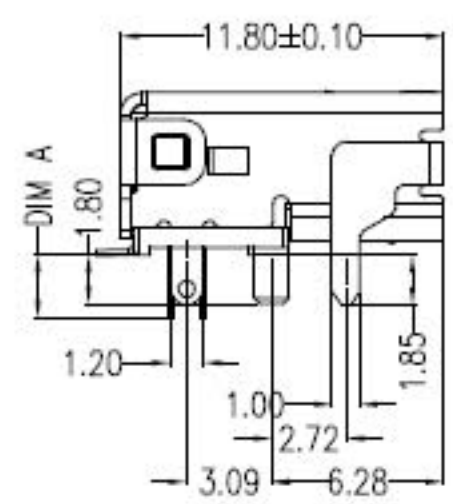
Operating Temperature: -40°C to +85°C.

Unit:mm

Part NO.	Dim A	P.C.B Thickness
WMDR-20F9L1PH4	2.15~2.30	1.60
WMDR-20F8L1PH4	3.10	2.50



Top Row			Bottom Row		
Pin NO.	Signal Type	Pin Name	Pin NO.	Signal Type	Pin Name
1	GND	GND	2	In	HotPlug Detect
3	Out	ML_Lane 0(p)	4	CONFIG	CONFIG1
5	Out	ML_Lane 0(n)	6	CONFIG	CONFIG2
7	GND	GND	8	GND	GND
9	Out	ML_Lane 1(p)	10	Out	ML_Lane 3(p)
11	Out	ML_Lane 1(n)	12	Out	ML_Lane 3(n)
13	GND	GND	14	GND	GND
15	Out	ML_Lane 2(p)	16	I/O	AUX_CH(p)
17	Out	ML_Lane 2(n)	18	I/O	AUX_CH(n)
19	GND	GND	20	PWR Out	DP_PWR



REV	ADD P.C.B Thickness	Units	MIN	Scale	5:2	Drawing By	Date	HDC 有限公司						
						Zhangtao	10/14-'14	Date	10/14-'14	Title	Mini Displayport Receptacle DIP+SMT (JAR 3.2)	Drawing No.	REV	E
Tolerance Unless Otherwise Specified						Reviewed By	Date	Sheet	1 of 1					
.X ~ ±0.35						Huqi	10/14-'14	Third Angle Projection						
.XX ~ ±0.25						Approval By	Date							
.XXX ~ ±0.15						Richard	10/14-'14							
Angle ~ ± 3°														