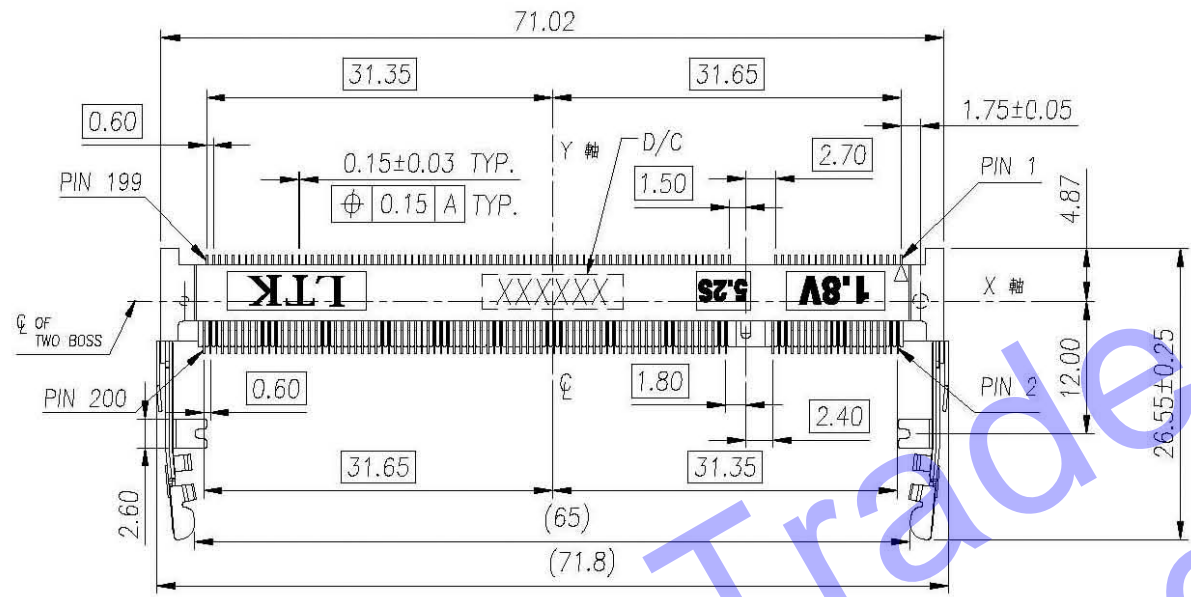


| REV. | MODIFICATION | DATE | DRAW |
|------|--------------|------------|------|
| C | ECR-2008032 | 2008.06.06 | kun |
| D | ECR-2008038 | 2008.06.23 | kun |

JFAD FRFF



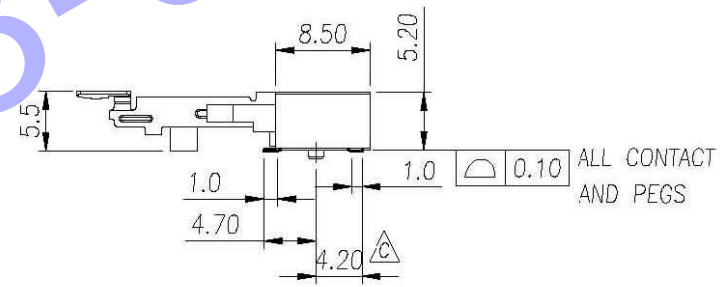
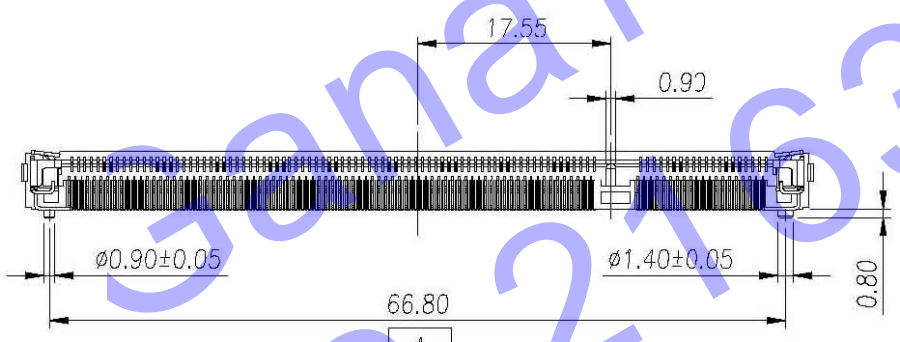
- NOTES:
- MATERIAL:
 - HOUSING: THERMOPLASTIC .UL94V-0. COLOR: NATURE
 - CONTACT: COPPER ALLOY, T=0.15mm
 - LATCH: SUS
 - FINISH:
 - CONTACT: GOLD PLATED ON CONTACT & SOLDER
50~150 μ MIN NICKEL UNDER-PLATING.
 - LATCH: 100 μ MIN Sn PLATING ON ALL AREA
50 μ MIN NICKEL UNDER-PLATING OVER ALL AREA
 - PART NO. : DDRSA-200XX-XX5B

PLATING
 01 : GOLD 1 μ min.
 03 : GOLD 3 μ min.

PACKING
 TR: TRAY
 TP: TAPE REEL

4. DATE CODE : XXXXXX

TEAM
 DAY
 WEEK
 YEAR



ALL CONTACT AND PEGS

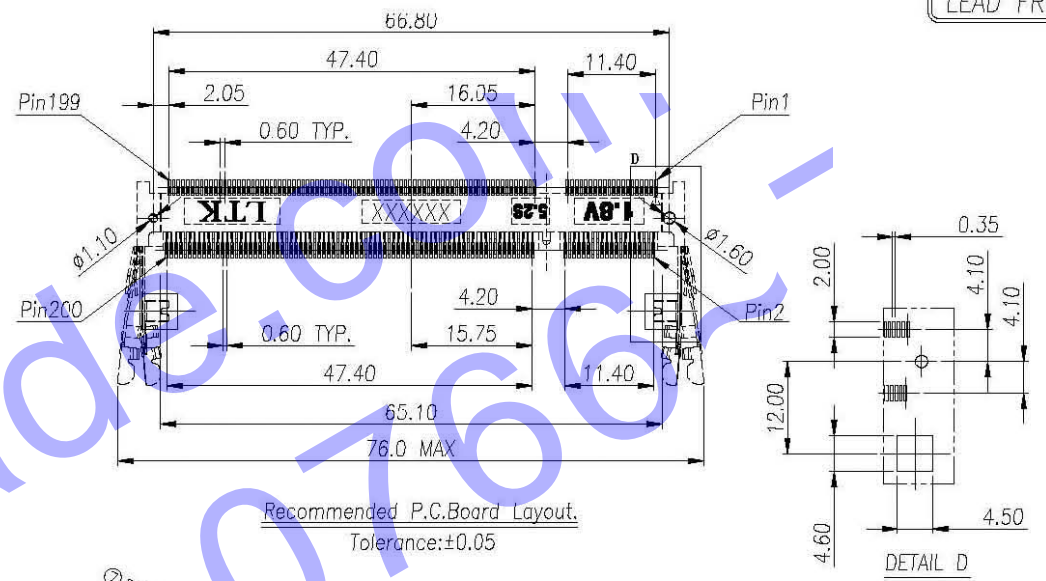
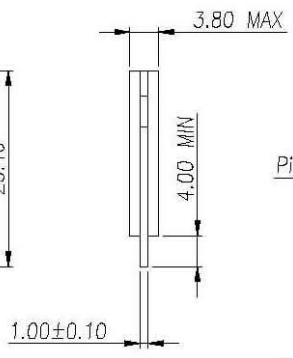
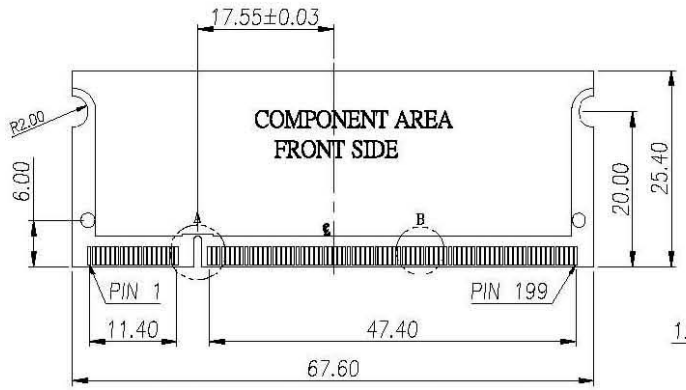
| DIMENSION IN mm [Inch] | | PROD. SPEC. | HDC 有限公司 | |
|--------------------------------------|-------------|-------------------------|------------------------------|--------------------------|
| TOLERANCE UNLESS OTHERWISE SPECIFIED | | PKG. SPEC. | TITLE: DDR 200P - 5.2H (S) | |
| .X±0.35 | X.*± 2.0* | APR. JOHN 2008.06.23 | FILE NO. | DWG NO. DDRSA-200XX-XX5B |
| .XX±0.15 | .X.*± 1.0* | CHK. kun 2008.06.23 | PROJ. | CUSTOMER DRAWING |
| .XXX±0.05 | .XX.*± 0.5* | DRA. kun 2008.06.23 | SIZE A4 | SCALE N/A |
| | | | SHEET 1/3 | REV. D |

| REV. | MODIFICATION | DATE | DRAW |
|------|--------------|------------|------|
| C | ECR-2008032 | 2008.06.06 | kun |
| D | ECR-2008038 | 2008.06.23 | kun |

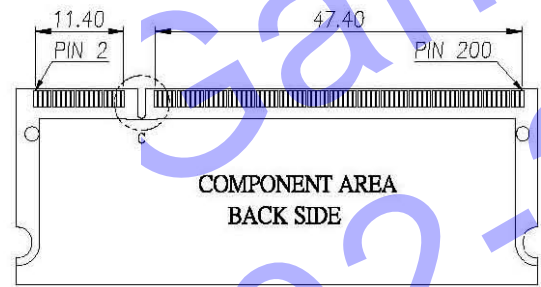
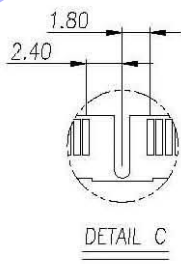
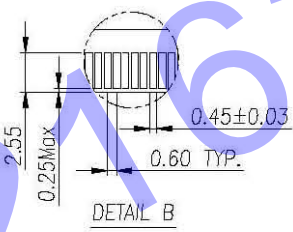
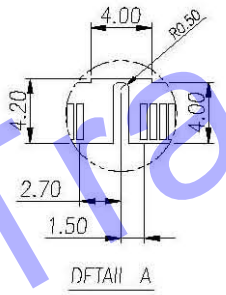
LEAD FREE

A
B
C
D
E
F

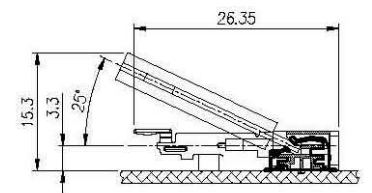
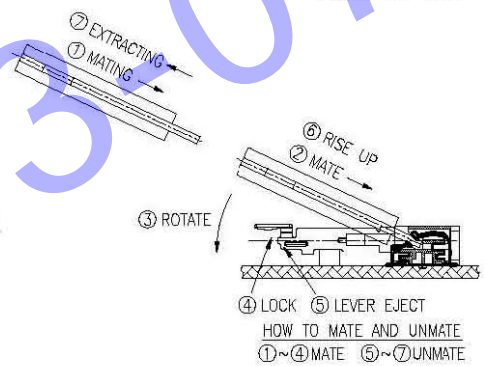
A
B
C
D
E
F



Recommended P.C.Board Layout.
Tolerance:±0.05



Recommended Module Configuration.



| DIMENSION IN mm [Inch] | | PROD. SPEC. |
|--------------------------------------|-------------|-------------------------|
| TOLERANCE UNLESS OTHERWISE SPECIFIED | | PKG. SPEC. |
| .X±0.35 | X.*± 2.0* | APR. JOHN 2008.06.23 |
| .XX±0.25 | .X.*± 1.0* | CHK. kun 2008.06.23 |
| .XXX±0.10 | .XX.*± 0.5* | DRA. kun 2008.06.23 |

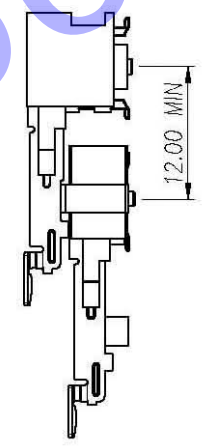
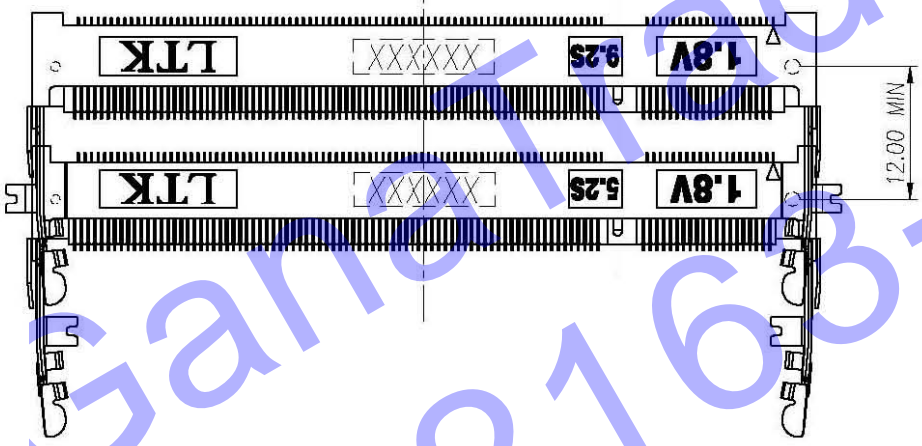
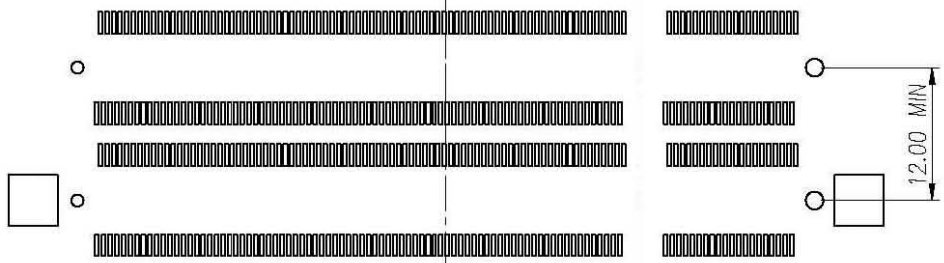
HDC 有限公司

| | | | |
|------------------------------|--------------------------|-----------|----------|
| TITLE: DDR 200P - 5.2H (S) | | | |
| FILE NO. | DWG NO. DDRSA-200XX-XX5B | | |
| PROJ. | CUSTOMER DRAWING | | |
| SIZE A4 | SCALE N/A | SHEET 2/3 | REV. D 0 |

1 2 3 4 5 6 7 8

| REV. | MODIFICATION | DATE | DRAW |
|------|--------------|------------|------|
| C | ECR-2008032 | 2008.06.06 | kun |
| D | ECR-2008038 | 2008.06.23 | kun |

LEAD FREE



| | | | | | | |
|--------------------------------------|-------------|-------------------------|------------------------------|--------------------------|------------------|----------|
| DIMENSION IN mm [Inch] | | PROD. SPEC. | HDC 有限公司 | | | |
| TOLERANCE UNLESS OTHERWISE SPECIFIED | | PKG. SPEC. | | | | |
| .X±0.35 | X.*± 2.0° | APR. JOHN 2008.06.23 | TITLE: DDR 200P - 5.2H (S) | | | |
| .XX±0.25 | .X.*± 1.0° | CHK. kun 2008.06.23 | FILE NO. | DWG NO. DDRSA-200XX-XX5B | | |
| .XXX±0.10 | .XX.*± 0.5° | DRA. kun 2008.06.23 | PROJ. | | CUSTOMER DRAWING | |
| | | | SIZE A4 | SCALE N/A | SHEET 3/3 | REV. D 0 |

Ganbo Trade.com
02-2168-0766