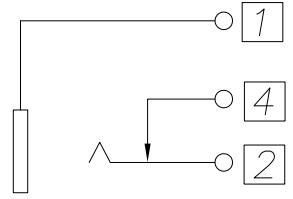
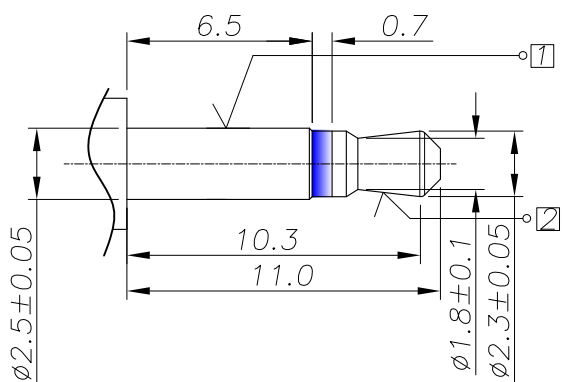
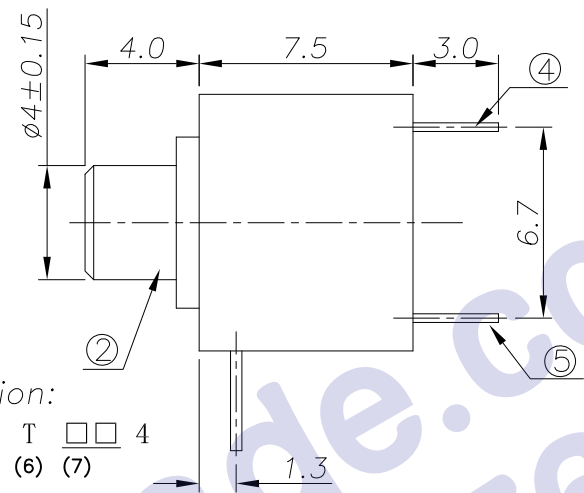
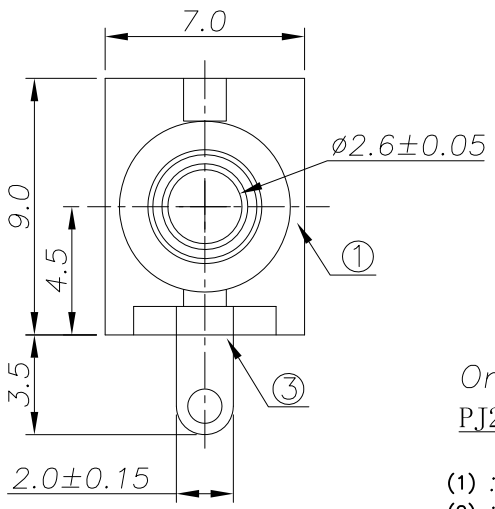


REV. LTR.	DESCRIPTION	SIGN	DATE

Model NO.	PJ20010-C
Schematic	

□: TERMINAL NO.

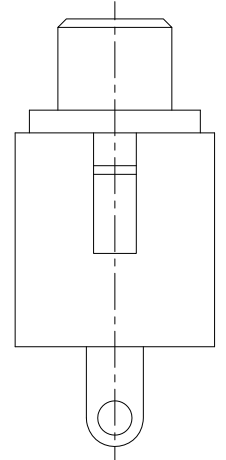
Matching Plug

Ordering information:

PJ20010 -C □□ 0A T □□ 4
 (1) (2) (3) (4) (5) (6) (7)

- (1) :Series No
- (2) :Schematic option: C
- (3) :Material of housing:
AB=ABS
PB=PBT(Standard)
- (4) :Housing color:
0A=Black (Standard)
2_=Red
3_=Orange
4_=Yellow
- (5) :Terminal plating
6_=BTin(Sn)(Standard)
8=Silver(Ag)
- (6) :Special option
ON=Bushing is Nickel plating (Standard)
OG=Bushing is Gold plating
- (7) :Packaging mode:
Cu&Tin Plating
4=Bag packing



SPECIFICATION

- 1.Rating ? DC 30V 0.5A?
- 2.Contact resistance? ≤30mΩ?
- 3.Insulation resistance?? 100MΩ (DC250V)?
- 4.Withstand voltage? 500VAC ?
- 5.Insertion and extraction force? 3-25N;
- 6.life test? 5,000 cycles?

NO	DESCRIPTION	QTY	MATERIAL	PLATING
5	Shunt terminal	1	Brass	Sn-Plating
4	Tip spring	1	Phosphor bronze	Sn-Plating
3	Earth spring	1	Brass	Sn-Plating
2	Bushing	1	Copper alloy	Ni/Au/Cu-Sn-Plating
1	Housing	1	ABS/PBT	

UNIT:MM	TYPE:	MODEL NO:	PAPER NO: A4	PAGE 1 OF 1
	φ2.5 PHONE JACK	PJ20010-C_ _0A	TOLERANCE	ANGLES
			±0.3	±2°
			SCALE	VER
			FULL	2

DESIGNER BY: Zhuhong 2008/11/24
 CHECK BY:
 APPROVED BY:

HDC有限公司