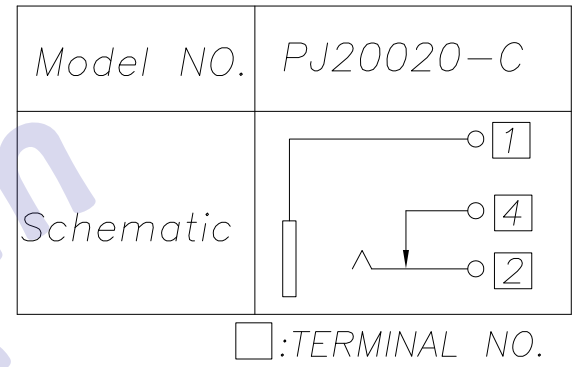
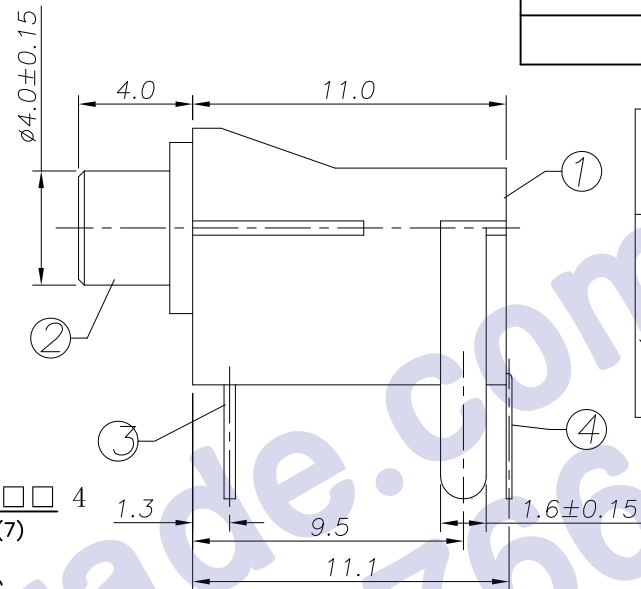
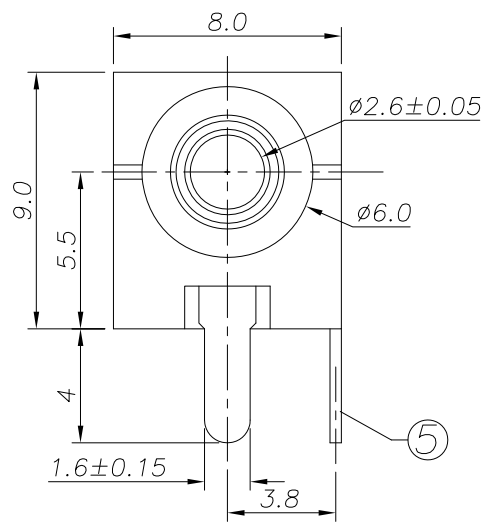


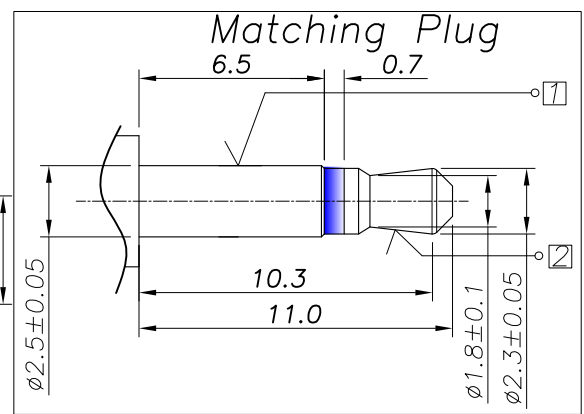
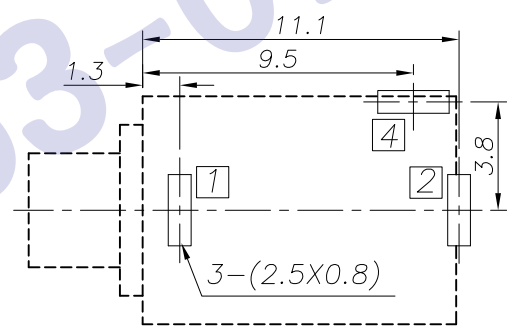
REV. LTR.	DESCRIPTION	SIGN	DATE



Ordering information:

- PJ20020 -C □□ 0A T □□ 4
- (1) (2) (3) (4) (5) (6) (7)
- (1) :Series No
 - (2) :Schematic option: C
 - (3) :Material of housing:
AB=ABS
PB=PBT(Standard)
 - (4) :Housing color:
0A=Black (Standard)
2_ =Red
3_ =Orange
4_ =Yellow
 - (5) :Terminal plating
6_ =Blue (Sn)(Standard)
8_ =White(Ag)
 - (6) :Special option
0N=Bushing is Nickel plating (Standard)
0G=Bushing is Gold plating
 - (7) :Packaging mode:
Cu&Tin Plating
4=Bag packing

P.C.B.Layout
(Copper-sided view)



SPECIFICATION

- 1.Rating ? DC 30V 0.5A?
- 2.Contact resistance? ≤30mΩ?
- 3.Insulation resistance?? 100MΩ (DC250V)?
- 4.Withstand voltage? 500VAC ?
- 5.Insertion and extraction force? 3-25N;
- 6.life test? 5,000 cycles?

⑤	Shunt terminal	④	1	Brass	Sn-Plating
④	Tip spring	②	1	Phosphor bronze	Sn-Plating
③	Earth spring	①	1	Brass	Sn-Plating
②	Bushing		1	Copper alloy	Ni/Au/Cu-Sn-Plating
①	Housing		1	ABS/PBT	
NO	DESCRIPTION	QTY	MATERIAL	PLATING	
UNIT:MM	TYPE:	MODEL NO:		PAPER NO: A4	PAGE 1 OF 1
	φ2.5 PHONE JACK	PJ20020-C_ _0A7		TOLERANCE: ±0.3	ANGLES: ±2°
DESIGNER BY:	Zhuhong 2008/11/24		SCALE: FULL	VER: 2	
CHECK BY:					
APPROVED BY:					

HDC有限公司