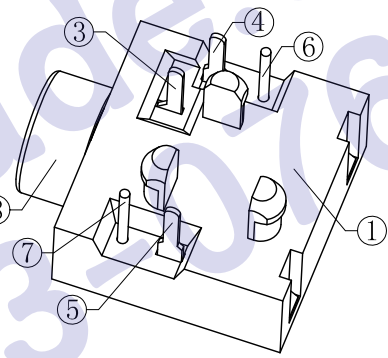
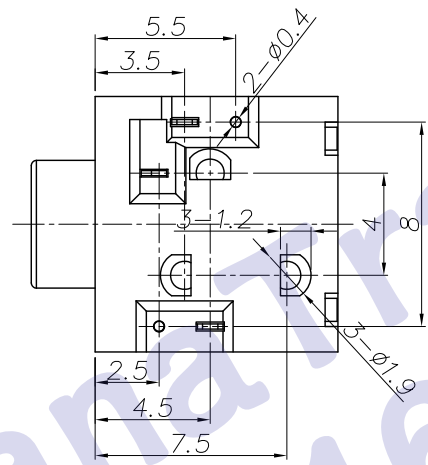
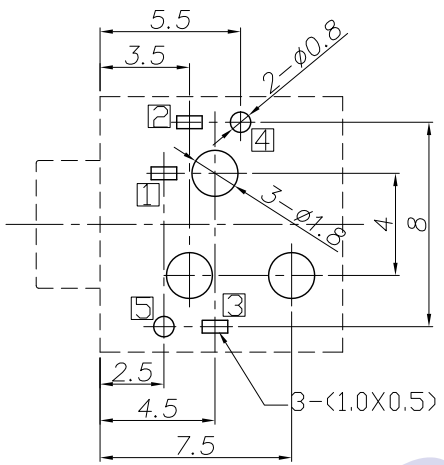
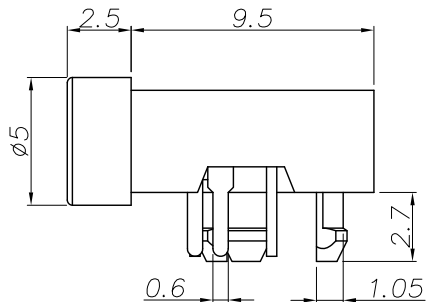
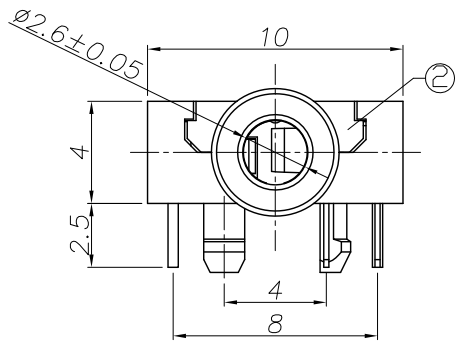


???? REV. LTR.	?? DESCRIPTION	? ? SIGN	? ? DATE
⚠	Part NO. changed	Michael	2008.11.03



Ordering information:  
 PJ2004A ? ?? ?? ? ?? ?  
 (1) (2) (3) (4) (5) (6) (7)

(1): Series No.  
 (2): Schematic option:  
 A?B?C?D  
 (3): Material of housing:  
 PB=PBT  
 (4): Bushing or Housing color:  
 0A=Black 2\_=Red 3\_=Orange  
 Zero 4\_=Yellow 5\_=Green 6\_=Blue  
 (5): Terminal plating  
 S: Silver(Ag) T: Tin(Sn)  
 G: Gold(Au)  
 (6): Special option:  
 00: No special option  
 (7): Packing mode:  
 1: Tape reel packing  
 3: Plastic box packing  
 4: Bag packing

P.C.B Layout  
(Copper-sided view)

Model No	PJ2004A-A (PJ-204A)	PJ2004A-B (PJ-204A-1)	PJ2004A-C (PJ-204A-3)	PJ2004A-D (PJ-204A-2)
Schematic code				

SPECIFICATION

1. Rating ? DC 30V 0.5A?
2. Contact resistance ≤30m? ?
3. Insulation resistance ≥100M? (DC250V)?
4. Withstand voltage ≥500VAC ?
5. Insertion and extraction force ≤25N;
6. life test ≥5000 cycles

⑧ Metal ring	1	Brass	PJ20040-88(ZT-589)	Ni-Plating
⑦ Shunt terminal	1	Bronze ∅0.4	PJ20040-04(OT-594)	Ag-Plating
⑥ Shunt terminal	1	Bronze ∅0.4	PJ20040-04(OT-594)	Ag-Plating
⑤ Ring spring	1	Bronze T=0.2	PJ20040-03(TP-590)	Ag-Plating
④ Tip spring	1	Bronze T=0.2	PJ20040-02(TP-591)	Ag-Plating
③ Earth terminal	1	Bronze T=0.2	PJ20040-01(JA-593)	Ag-Plating
② Cover	1	PBT,UL 94V-0	PJ20040-S2(GZ-592)	
① Housing	1	PBT,UL 94V-0	PJ2004A-S1(ST-598)	

NO.	DESCRIPTION	QTY	MATERIAL	PART NO.	PLATING
UNIT:MM	TYPE:	MODEL NO.:	PAPER NO: A4	PAGE 1 OF 1	
∅	∅2.5 PHONE JACK	PJ2004A- PBOAS	TOLERANCE	ANGLES	SCALE
			±0.3	±2°	FULL
				VER	2

DESIGNER BY: Michael 2008.11.03  
 CHECK BY:  
 APPROVED BY:

HDC有限公司