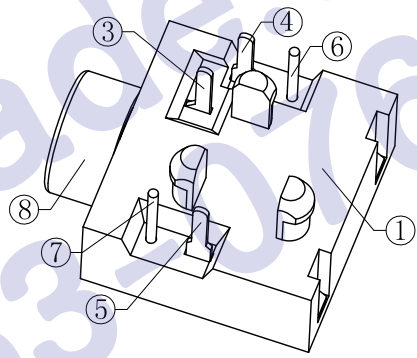
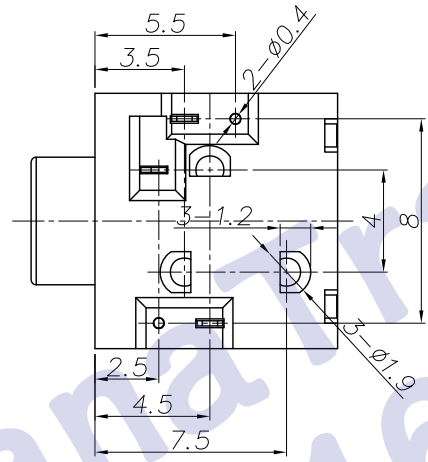
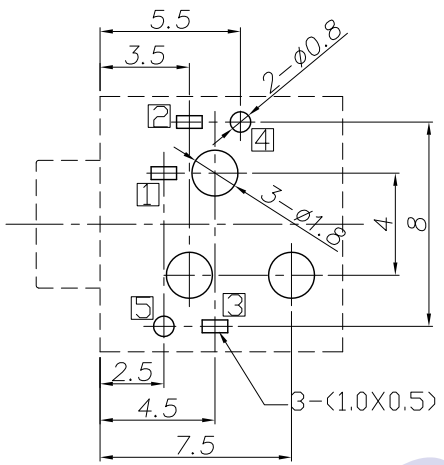
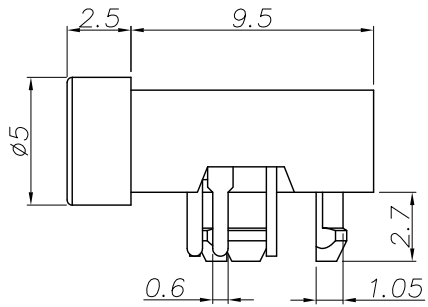
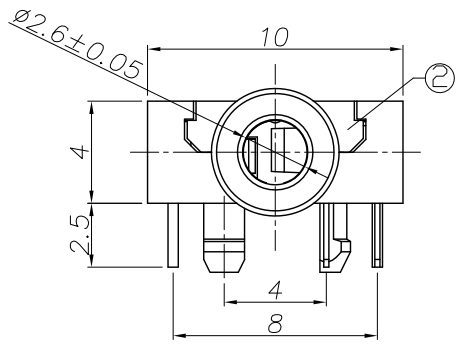


???? REV. LTR.	?? DESCRIPTION	?? SIGN	?? DATE
△	Part NO. changed	Michael	2008.11.03



Ordering information:
 PJ2004E ? ?? ?? ? ?? ?
 (1) (2) (3) (4) (5) (6) (7)

(1):Series No.
 (2):Schematic option:
 A?B?C?D
 (3):Material of housing:
 PB=PBT
 (4):Bushing or Housing color:
 0A=Black 2_=Red 3_=Orange
 Zero 4_=Yellow 5_=Green 6_=Blue
 (5):Terminal plating
 S:Silver(Ag) T:Tin(Sn)
 G:Gold(Au)
 (6):Special option:
 00:No special option
 (7):Packing mode:
 1:Tape reel packing
 3:Plastic box packing
 4:Bag packing

P.C.B Layout
(Copper-sided view)

Model No	PJ2004C-A (PJ-204C)	PJ2004C-B (PJ-204C-1)	PJ2004C-C (PJ-204C-3)	PJ2004C-D (PJ-204C-2)
Schematic code				

SPECIFICATION

- 1.Rating ? DC 30V 0.5A?
- 2.Contact resistance ≤30m? ?
- 3.Insulation resistance ≥100M? (DC250V)?
- 4.Withstand voltage ≥500VAC ?
- 5.Insertion and extraction force ≤25N;
- 6.life test 5000 cycles

⑧	Plastic ring	1	PBT,UL 94V-0	PJ2004B-88(ZT-660)	
⑦	Shunt terminal	1	Bronze ∅0.4	PJ20040-04(OT-594)	Ag-Plating
⑥	Shunt terminal	1	Bronze ∅0.4	PJ20040-04(OT-594)	Ag-Plating
⑤	Ring spring	1	Bronze T=0.2	PJ20040-03(TP-590)	Ag-Plating
④	Tip spring	1	Bronze T=0.2	PJ20040-02(TP-591)	Ag-Plating
③	Earth terminal	1	Bronze T=0.2	PJ20040-01(JA-593)	Ag-Plating
②	Cover	1	PBT,UL 94V-0	PJ20040-S2(GZ-592)	
①	Housing	1	PBT,UL 94V-0	PJ2004A-S1(ST-598)	
NO.	DESCRIPTION	QTY	MATERIAL	PART NO.	PLATING
UNIT:MM	TYPE:	MODEL NO.:	PAPER NO. A4	PAGE 1 OF 1	
	∅2.5 PHONE JACK	PJ2004C-_-PBOAS	TOLERANCE	ANGLES	SCALE VER
			±0.3	±2°	FULL 2
DESIGNER BY:	Michael 2008.11.03		HDC有限公司		
CHECK BY:					
APPROVED BY:					