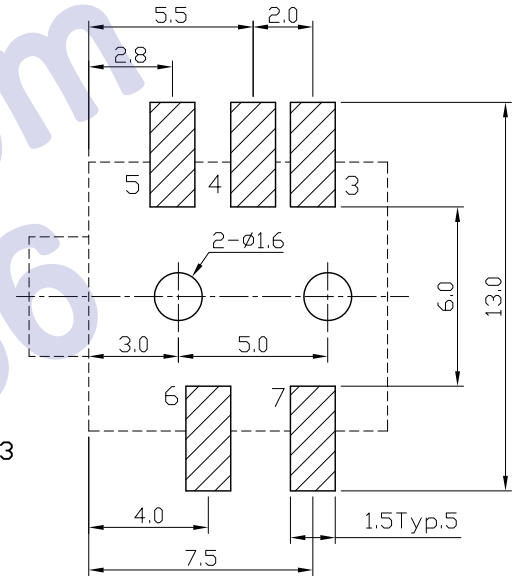
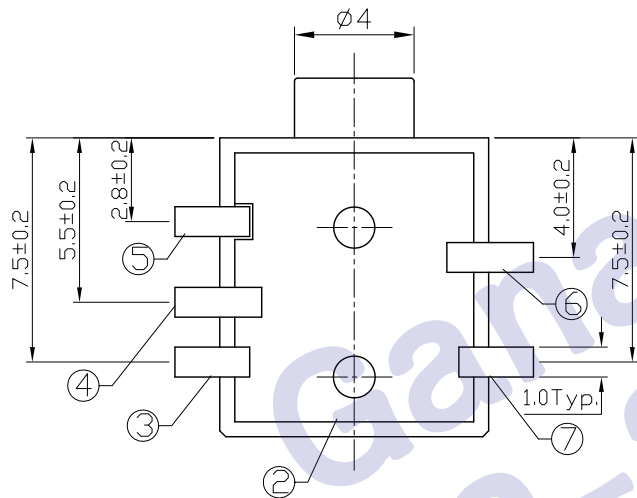
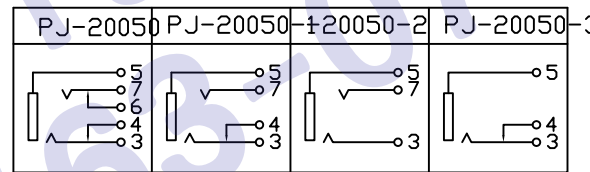


P.C.B
LAYOUT
VIEW



SCHEMATIC



SPECIFICATION

1. Rating ? DC 30V 0.5A?
2. Contact resistance $\leq 0.03\Omega$?
3. Insulation resistance $\geq 100M\Omega$? (DC250V)?
4. Withstand voltage $\geq 500VAC$?
5. Insertion and extraction force $\leq 20N$;
6. life test $\geq 5,000$ cycles

7	SPRING PIECE	1	SUS301	Ag(Au)-Plating
6	CURVE PIECE	1	H59 BRASS	Ag(Au)-Plating
5	CONTACT	1	PHOSPHOR BRONZE	Ag(Au)-Plating
4	CURVE PIECE	1	H59 BRASS	Ag(Au)-Plating
3	SPRING PIECE	1	SUS301	Ag(Au)-Plating
2	COVER	1	PA46	
1	HOUSING	1	PA46	
NO.	DESCRIPTION	QTY	MATERIAL	PLATING
UNIT:MM	TYPE: PHONE JACK	MODEL NO: PJ-20050	PAPER NO: 41	PAGE 1 OF 1
		TOLERANCE: ± 0.15	ANGLES: $\pm 1.5^\circ$	SCALE: 4:1
DESIGNER	CHECK	BY: APPROVED	BY:	VER: 1

HDC有限公司