

修正标记
REV. LTR.

描述
DESCRIPTION

签名
SIGN

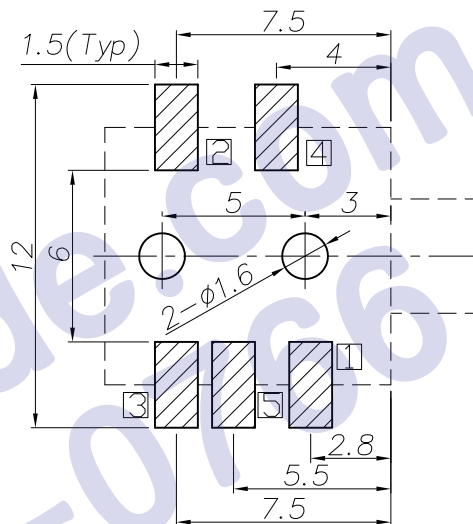
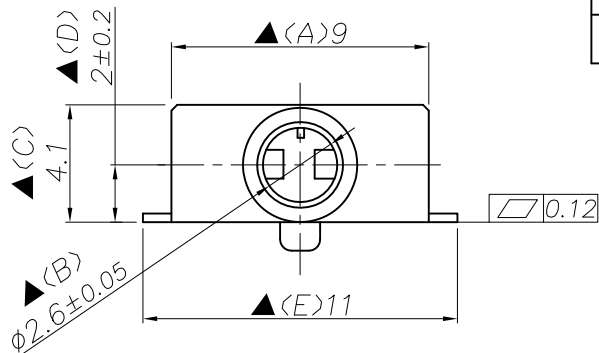
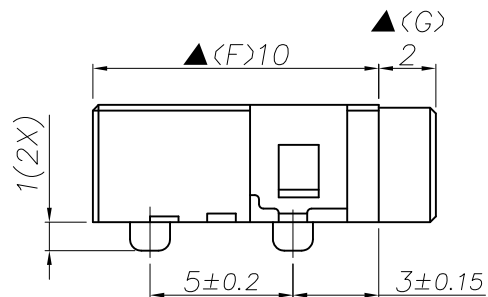
日期
DATE

更换图框

Michael 2007.12.17

Update drawing

Bull.pan 2011.05.05

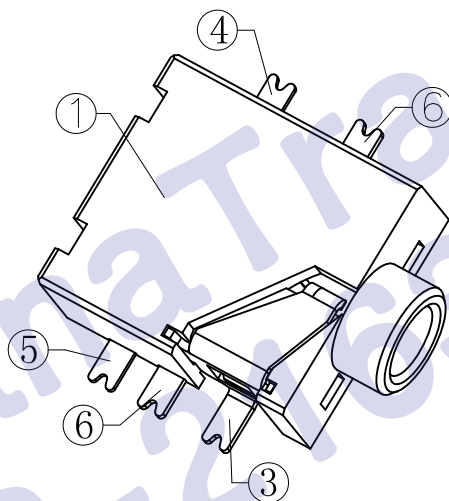
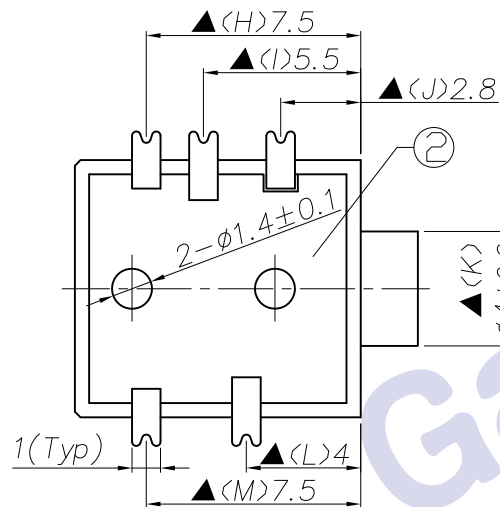


RECOMMENDED P. C. B. LAYOUT
UNSPECIFIED TOLERANCE: ±0.05
(COPPER-SIDED VIEW)

Ordering information:

PJ2005D- □ 9T 0A □ 00 1
(1) (2) (3) (4) (5) (6) (7)

- (1): Series No.
- (2): Schematic option: A, B, C, D
- (3): Material of housing:
9T=PA9T (Standard)
- (4): Housing color:
0A=Black (Standard)
- (5): Terminal plating
S=Silver (Ag) (Standard)
G=Gold (Au)
- (6): Special option:
00=No special option
- (7): Packing mode:
1=Tape reel packing



Specification:

1. Rating : DC 30V 0.5A.
2. Contact resistance: ≤50mΩ.
After test: ≤100mΩ.
3. Insulation resistance: ≥100MΩ (500VDC).
After test: ≥50MΩ.
4. Withstanding voltage: 500VAC.
5. Insertion and extraction force: 3N~30N.
6. life test: 5000cycles min.
7. Operation temperature range: -20°C~70°C.
8. Preservative temperature range: -40°C~85°C.
9. Sign"▲" is importance dimension.

P/N	PJ2005D-A	PJ2005D-B
Schematic code		
P/N	PJ2005D-C	PJ2005D-D
Schematic code		

Circuit Diagram □ Terminal No.

⑥	Shunt terminal	④⑤	2	Brass t0.3	PJ2005D-04	Gold/Silver plating
⑤	Ring spring	③	1	Stainless steel t0.2	PJ2005D-03	Gold/Silver plating
④	Tip spring	②	1	Stainless steel t0.2	PJ2005D-02	Gold/Silver plating
③	Earth spring	①	1	Phosphor bronze t0.3	PJ2005D-01	Gold/Silver plating
②	Cover		1	PA9T+33%GF,UL94 V-0	PJ20050-S2	Black
①	Housing		1	PA9T+33%GF,UL94 V-0	PJ20050-S1	Black

NO.	DESCRIPTION	QTY	MATERIAL	PART NO.	PLATING
UNIT:MM	TYPE:	MODEL NO:	PAPER NO: A4 PAGE 1 OF 1		
	φ2.5 PHONE JACK	PJ2005D-_9T0A_001	TOLERANCE	ANGLES	SCALE
			±0.3	±2°	FULL
DESIGNER BY:	Bull.pan 2011.05.05		VER 03		
CHECK BY:					
APPROVED BY:					

HDC有限公司