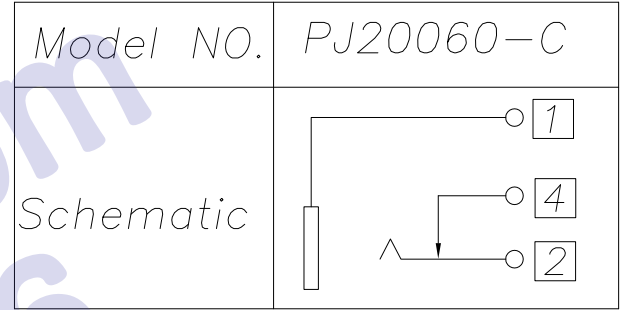
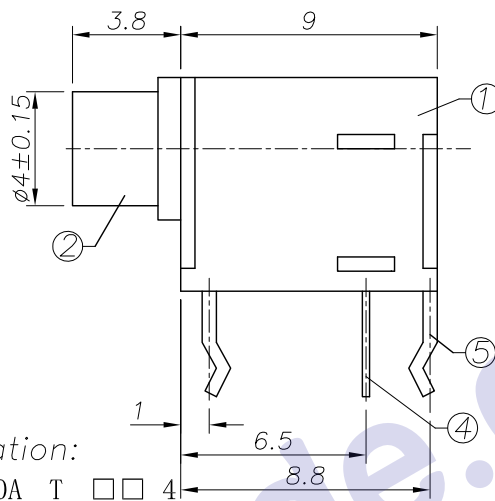
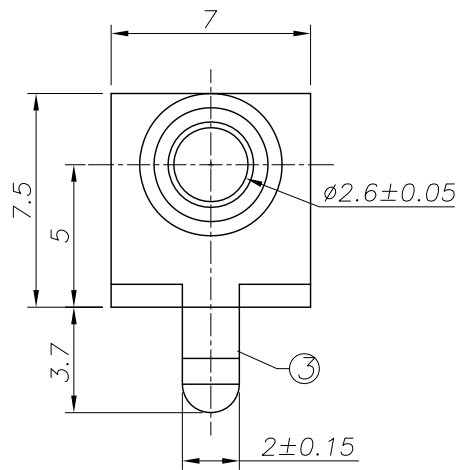


REV. LTR.	DESCRIPTION	SIGN	DATE

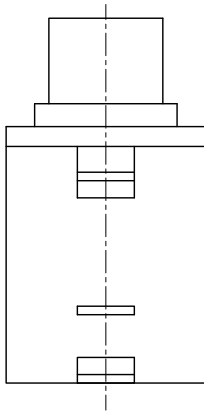


Ordering information:

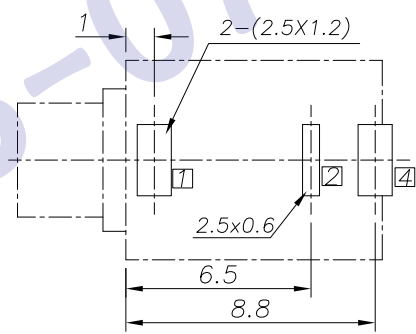
PJ20060 -C □□ 0A T □□ 4

(1) (2) (3) (4) (5) (6) (7)

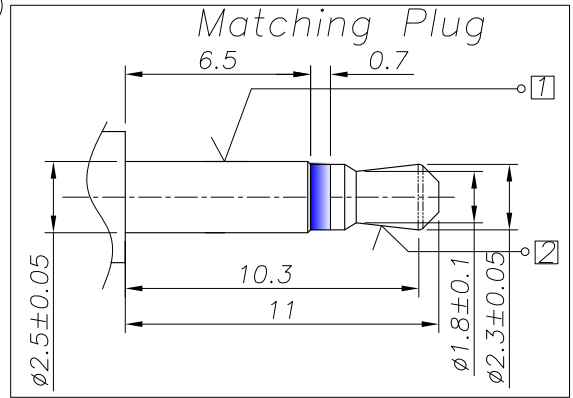
- (1) :Series No
- (2) :Schematic option: C
- (3) :Material of housing:
AB=ABS
PB=PBT(Standard)
- (4) :Housing color:
0A=Black (Standard)
2_ =Red
3_ =Orange
4_ =Yellow
- (5) :Terminal plating
6_ =Ti (Sn)(Standard)
8_ =Si White(Ag)
- (6) :Special option
0N=Bushing is Nickel plating (Standard)
0G=Bushing is Gold plating
- (7) :Packaging mode:
Cu&Tin Plating
4=Bag packing



P.C.B.Layout
(Copper-sided view)



□:TERMINAL NO.



SPECIFICATION

- 1.Rating ? DC 30V 0.5A?
- 2.Contact resistance? ≤30mΩ?
- 3.Insulation resistance?? 100MΩ (DC250V)?
- 4.Withstand voltage? 500VAC ?
- 5.Insertion and extraction force? 3-25N;
- 6.life test? 5,000 cycles?

5	Shunt terminal	4	1	Brass	Sn-Plating
4	Tip spring	2	1	Phosphor bronze	Sn-Plating
3	Earth spring	1	1	Brass	Sn-Plating
2	Bushing	1	1	Copper alloy	Ni/Au/Cu-Sn-Plating
1	Housing	1	1	ABS/PBT	
NO.	DESCRIPTION	QTY	MATERIAL	PLATING	
UNIT:MM	TYPE:	MODEL NO:		PAPER NO: A4	PAGE 1 OF 1
	φ2.5 PHONE JACK	PJ20060-C_ _0A7		TOLERANCE: ±0.3	ANGLES: ±2°
DESIGNER BY:	Zhuhong 2008/11/24		SCALE: FULL	VER: 2	
CHECK BY:					
APPROVED BY:					

HDC有限公司