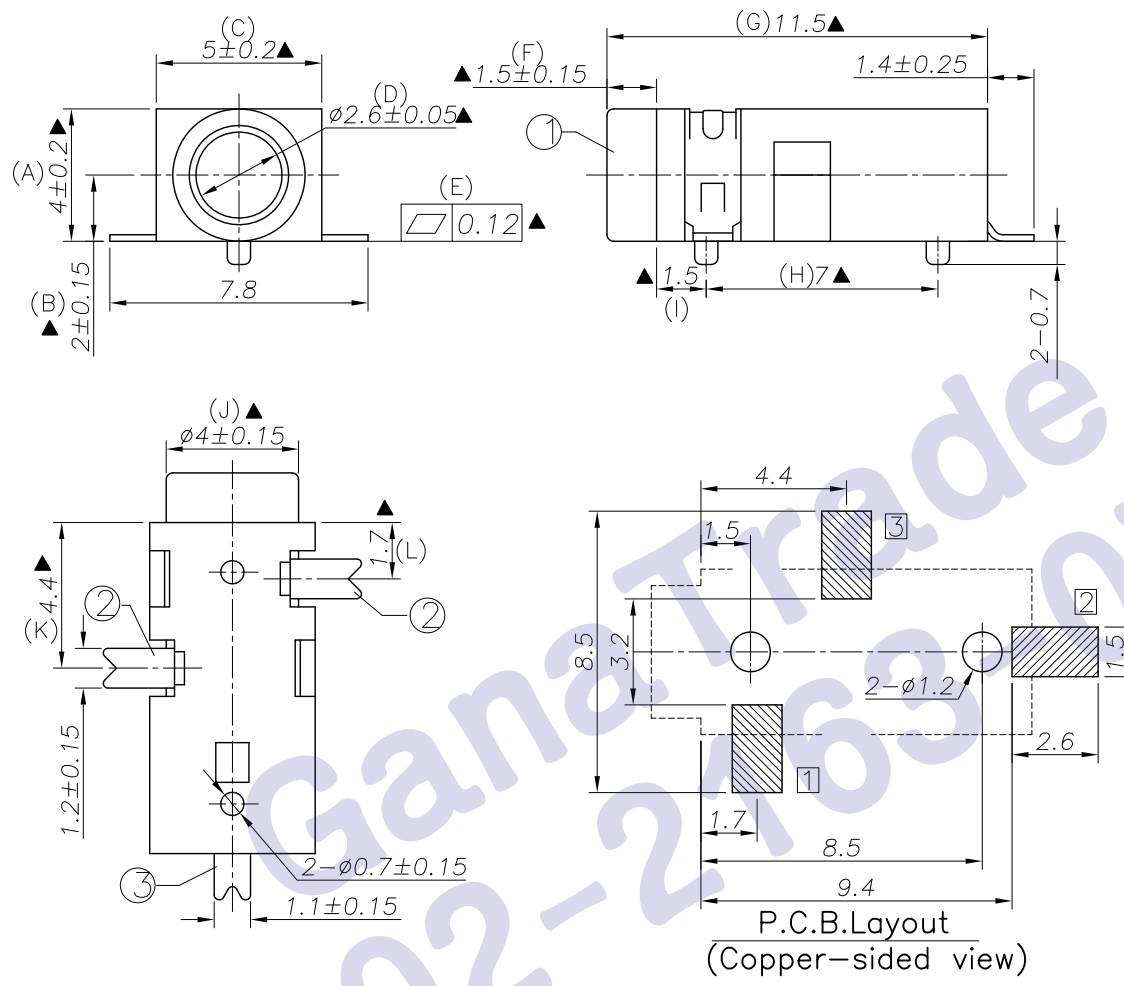
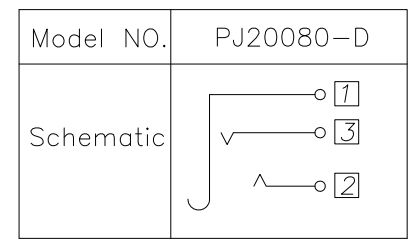


REV. LTR.	DESCRIPTION	SIGN	DATE
	更换新图框	陈斌	2009.08.03



P J 2 0 0 8 0 - D 9T 0A □ 00 □
 (1) (2)(3)(4)(5)(6)(7)
 (1) :Series No.
 (2) :Schematic option(See drawing):D
 (3) :Material of housing:
 9T=PA9T(Standard),
 (4) :Housing color:
 0A=Black
 (5) :Terminal plating :
 G=Gold(Au);
 S=Sliver(Ag)(Standard)
 (6) :Special option:
 00:No special option
 (7) :Packing mode:
 1:Reel packing
 4:Bag packing

SCHEMATIC



SPECIFICATION
 1.Rating ? DC 30V 0.5A?
 2.Contact resistance? ≤30mΩ?
 3.Insulation resistance?? 100MΩ (DC250V)?
 4.Withstand voltage? 500VAC ?
 5.Insertion and extraction force? 3-25N;
 6.life test?5,000 cycles?
 7.Sing"▲ "is importance dimerntion

③	Tip spring	1	Phosphor bronze	PJ20180-02(JA-606)	Sliver/Gold-p lating
②	Ring spring	2	Phosphor bronze	PJ20080-01(TP-929)	Sliver/Gold-p lating
①	Housing	1	PA9T	PJ20080-S1(ST-928)	
NO.	DESCRIPTION	QTY	MATERIAL	PART NO.	REMARK
UNIT:MM		TYPE:		MODEL NO:	PAPER NO: A4
		∅2.5 PHONE JACK		PJ20080-D9TOA_00_	PAGE 1 OF 1
				TOLERANCE	ANGLES
				±0.3	±2'
				SCALE	VER
				FULL	4
DESIGNER BY:	CHENBIN		2009.08.03		HDC有限公司
CHECK BY:					
APPROVED BY:					