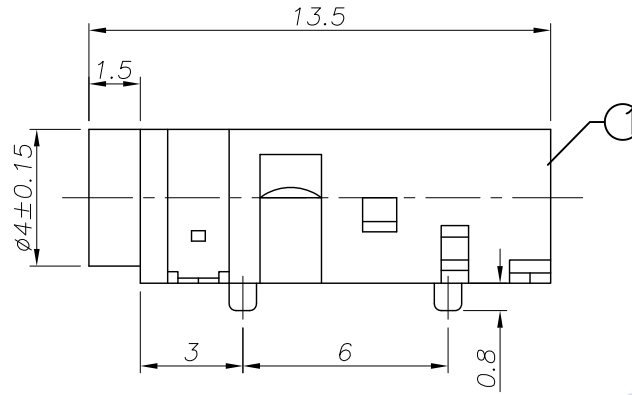
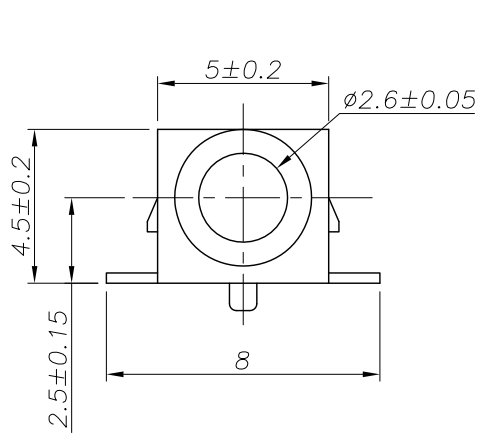
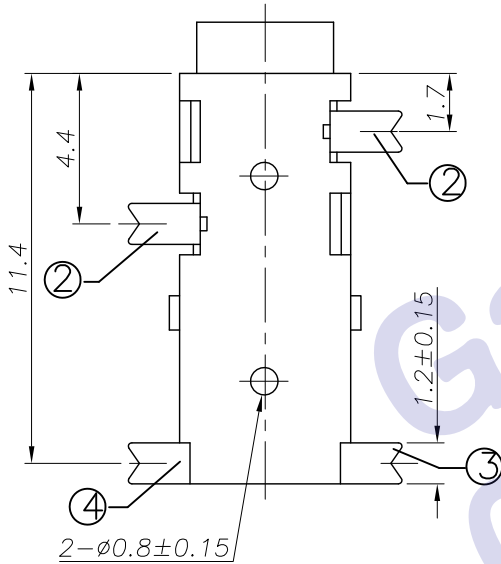
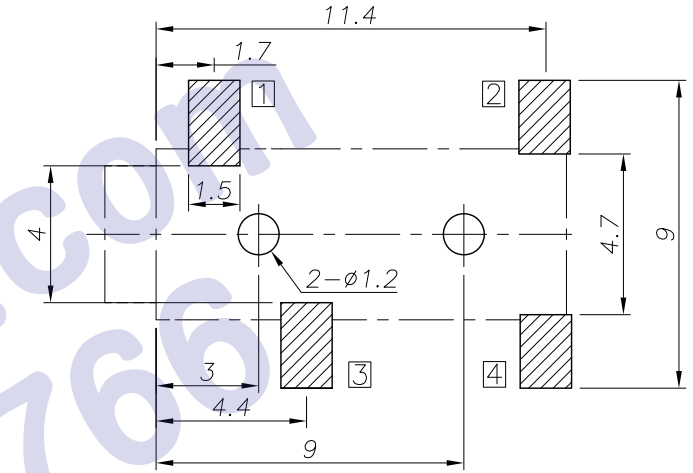


| REV. LTR. | DESCRIPTION | SIGN | DATE |
|-----------|-------------------|-------|------------|
| △ X1 | Add the schematic | YUJUN | 2008.11.11 |



P.C.B.Layout
(Copper-sided view)



Ordering information:

PJ2008A? ?? ?? S00 ?
① ② ③ ④ ⑤ ⑥ ⑦

- ①: Series No
- ②: Schematic option (See right drawing)
B C D
- ③: Material of housing
9T=PA9T (Standard) 46=PA46
- ④: Housing color
0A=Black (Standard) 2_=Red
3_=Orange 4_=Yellow 5_=Green
6_=Blue 9_=White
- ⑤: Terminal plating
G=Gold (Au)
S=Silver (Ag) (Standard)
- ⑥: Special option
00=No special option
01=Without 1# terminal

| Model NO. | PJ2008A-B (PJ2008A) | PJ2008A-C (PJ2008A-3) | PJ2008A-C*****1 | PJ2008A-D (PJ2008A-2) |
|-----------|------------------------|--------------------------|-----------------|--------------------------|
| Schematic | | | | |

□ : TERMINAL NO.

SPECIFICATION

- 1. Rating ? DC 30V 0.5A?
- 2. Contact resistance? ≤30mΩ
- 3. Insulation resistance?? 100MΩ (DC250V)?
- 4. Withstand voltage? 500VAC ?
- 5. Insertion and extraction force? 3-25N;
- 6. Life test? 5,000 cycles?

Packing mode

1=Reel packing

4=Bag packing

| NO | DESCRIPTION | QTY | MATERIAL | PART NO. | PLATING |
|----|------------------|-----|-----------------|-----------------------|---------------|
| ④ | Shunt terminal ④ | 1 | Brass | PJ2008A-04(WP-JK0015) | Ag/Au-Plating |
| ③ | Tip spring ② | 1 | Phosphor bronze | PJ2008A-02(TP-JK0040) | Ag/Au-Plating |
| ② | Ring spring ① ③ | 2 | Phosphor bronze | PJ2008A-01(TP-JK0039) | Ag/Au-Plating |
| ⑦ | Housing | 1 | PA9T/PA46 | PJ2008A-S1(ST-JK0029) | |

| UNIT:MM | TYPE: | MODEL NO: | PAPER NO: A4 | PAGE 1 OF 1 |
|---------|------------------|------------------|--------------|-------------|
| | ∅2.5 PHONE JAPAN | PJ2008A-_-_-_-_- | TOLERANCE | ANGLES |
| | | | ±0.3 | ±2' |
| | | | SCALE | VER |
| | | | FULL | 5 |

DESIGNER BY: Zhuhong 2008/7/28
CHECK BY:
APPROVED BY:

HDC有限公司