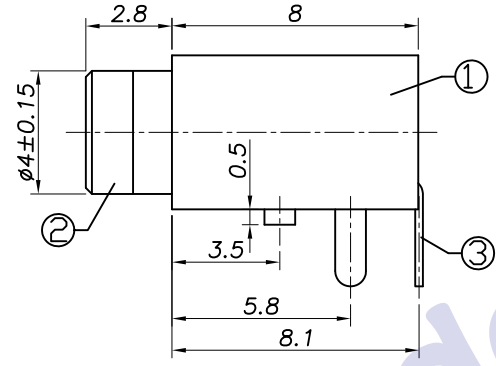
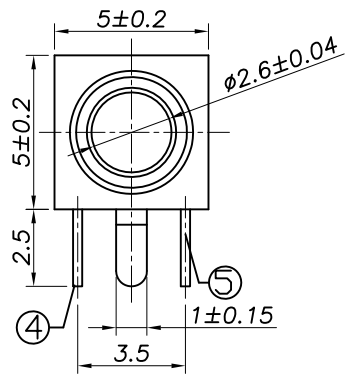
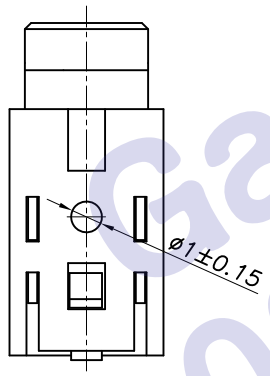
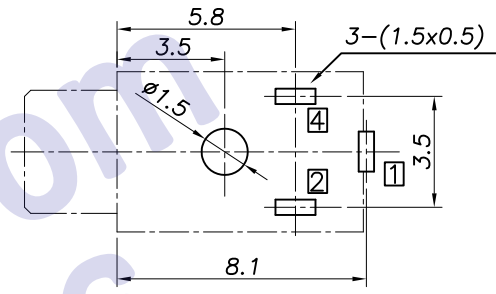


5	6	7	
REV. LTR.	DESCRIPTION	SIGN	DATE

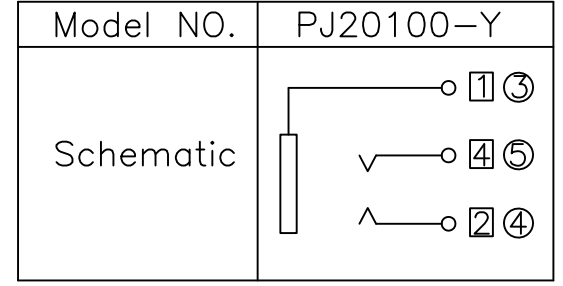


P.C.B Layout
(Copper-sided view)



Ordering information:
PJ20100YPB0AT00 4

- ① :Series No.
- ② :Schematic option(See right drawing)
- ③ :Material of housing
PB=PBT (Only)
- ④ :Housing color
0A=Black (Standard) 2=Red
3=Orange
4=Yellow
5=Green
- ⑤ :Terminal plating
T=Th(Sn) (Standard)
S=Silver (Ag)
- ⑥ :Special option
00:No special option
- ⑦ :Packing mode
4. Bag packing



□ : TERMINAL NO. ○ : ITEM NO.

SPECIFICATION
 1.Rating ? DC 30V 0.5A?
 2.Contact resistance? ≤30mΩ?
 3.Insulation resistance?? 100MΩ (DC250V)?
 4.Withstand voltage? 500VAC ?
 5.Insertion and extraction force? 3-25N;
 6.life test? 5,000 cycles?

NO.	DESCRIPTION	QTY	MATERIAL	PART NO.	PLATING
⑤	Tip spring-2	1	Bronze	PJ20100-04(JA-JK0015)	Sn-Plating
④	Tip spring-1	1	Bronze	PJ20100-02(JA-JK0017)	Sn-Plating
③	Earth spring	1	Bronze	PJ20100-01(ZT-JK0016)	Sn-Plating
②	Bushing	1	Brass	PJ20100-88(ZT-JK0007)	Ni-Plating
①	Housing	1	PBT	PJ20100-S1(ST-JK0010)	

UNIT:MM	TYPE:	MODEL NO:	PAPER NO: A4	PAGE 1 OF 1
	φ2.5 PHONE JACK	PJ20100-YPB0AT004	TOLERANCE	ANGLES
			±0.3	±2°
			SCALE	VER
			FULL	3

DESIGNER BY: Zhuhong 2008/7/30
 CHECK BY:
 APPROVED BY:

HDC有限公司