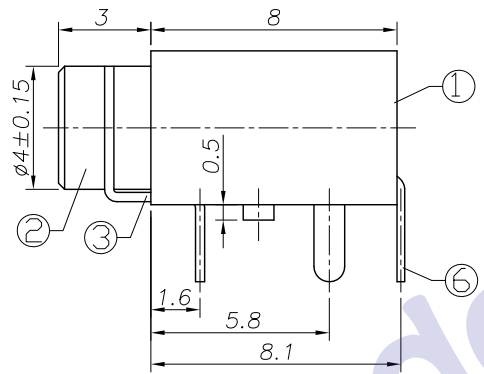
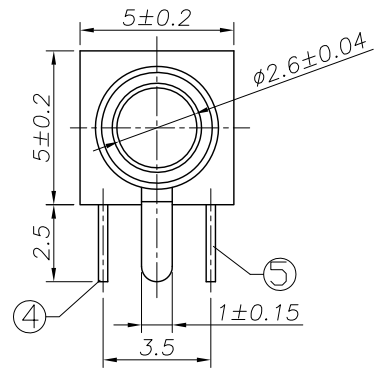
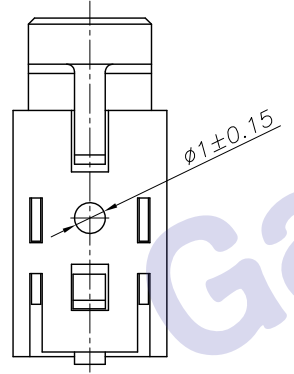
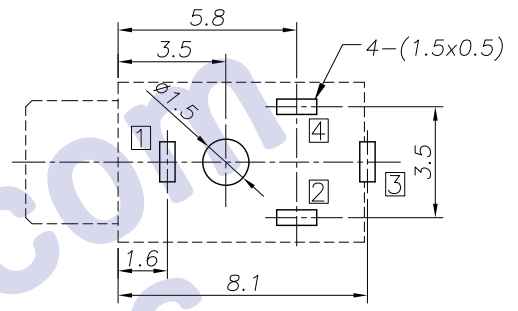


1	2	3	4	5	6	7
REV. LTR.	DESCRIPTION			SIGN	DATE	



P.C.B Layout
(Copper-sided view)



Ordering information:
PJ2010B? PB0A T00 4
 ① ② ③ ④ ⑤ ⑥ ⑦

- ① :Series No.
- ② :Schematic option(See right drawing)
- ③ :Material of housing
PB=PBT (Only)
- ④ :Housing color
0A=Black (Standard) 2_=Red
3_=Orange
4_=Yellow
5_=Green
- ⑤ :Terminal plating
S=Silver(Ag)
P=Plating (Standard)
- ⑥ :Special option
00:No special option
- ⑦ :Packing mode
4. Bag packing

Model NO.	PJ2010B-G	PJ2010B-Y
Schematic		

□ : TERMINAL NO. ○ : ITEM NO.

SPECIFICATION

- 1.Rating ? DC 30V 0.5A?
- 2.Contact resistance? ≤30mΩ?
- 3.Insulation resistance?? 100MΩ (DC250V)?
- 4.Withstand voltage? 500VAC ?
- 5.Insertion and extraction force? 3-25N;
- 6.life test? 5,000 cycles?

NO.	DESCRIPTION	QTY	MATERIAL	PART NO.	PLATING
⑥	Ring spring	1	Phosphr bronze	PJ20100-01(JA-JK0016)	Ni:30u"Min;Sn:120u"Min
⑤	Tip spring-2	1	Phosphr bronze	PJ20100-04(JA-JK0015)	Ni:30u"Min;Sn:120u"Min
④	Tip spring-1	1	Phosphr bronze	PJ20100-02(JA-JK0017)	Ni:30u"Min;Sn:120u"Min
③	Earth spring	1	Phosphr bronze	PJ2010B-01(ZT-JK0014)	Ni:30u"Min;Sn:120u"Min
②	Bushing	1	Brass	PJ20100-88(ZT-JK0007)	CuNi:80u"Min
①	Housing	1	PBT	PJ20100-S1(ST-JK0010)	

UNIT:MM	TYPE:	MODEL NO:	PAPER NO: A4	PAGE 1 OF 1
	φ2.5 PHONE JACK	PJ2010B-_PB0AT00	TOLERANCE	ANGLES
			±0.3	±2°
			SCALE	VER
			FULL	4

DESIGNER BY: Zhuhong 2008/7/30
 CHECK BY:
 APPROVED BY:

HDC有限公司