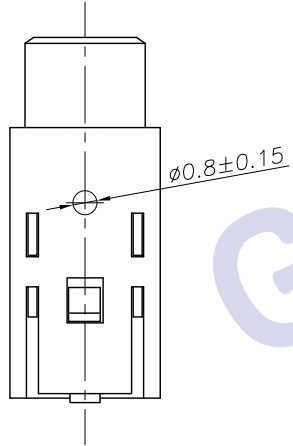
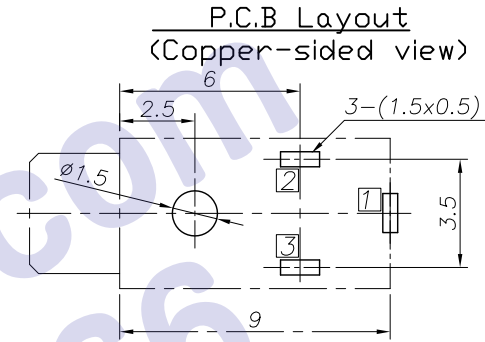
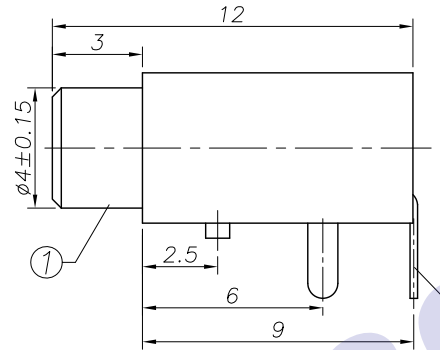
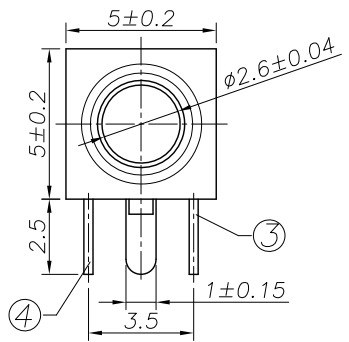


5	6	7	
REV. LTR.	DESCRIPTION	SIGN	DATE



- Ordering information:  
**PJ2011C-D?? 0A T00 4**  
 ① ② ③ ④ ⑤ ⑥ ⑦ ⑧ ⑨
- ① :Series No.
  - ② :Schematic option(See right drawing)
  - ③ :Material of housing  
 PB=PBT (Standard)  
 P6=PA66
  - ④ :Housing color  
 0A=Black (Standard)    2\_=Red  
 3\_=Orange  
 4\_=Yellow  
 5\_=Green  
 6\_=Blue
  - ⑤ :Terminal plating  
 S=Silver(Ag)  
 9=TH(SA) (Standard)
  - ⑥ :Special option  
 00:No special option
  - ⑦ :Packing mode  
 4. Bag packing

Model NO.	PJ2011C-D
Schematic	

□ : TERMINAL NO. ○ : ITEM NO.

- SPECIFICATION**
- Rating ? DC 30V 0.5A?
  - Contact resistance? ≤30mΩ?
  - Insulation resistance?? 100MΩ (DC250V)?
  - Withstand voltage? 500VAC ?
  - Insertion and extraction force? 3-25N;
  - life test? 5,000 cycles?

NO.	DESCRIPTION	QTY	MATERIAL	PART NO.	PLATING
④	Ring spring	1	Bronze	PJ2011A-03(JA-JK0027)	Sn-Plating
③	Tip spring	1	Bronze	PJ2011A-02(JA-JK0029)	Sn-Plating
②	Earth spring	1	Bronze	PJ2011A-01(JA-JK0028)	Sn-Plating
①	Housing	1	PBT/PA66	PJ2011C-S1(ST-JK0044)	

UNIT:MM	TYPE:	MODEL NO:	PAPER NO: A4	PAGE 1 DF 1
⊕	⊖	02.5 PHONE JACK	PJ2011C-D__0AT004	TOLERANCE ANGLES
			±0.3	±2°
DESIGNER BY:	Zhuhong 2008/08/07		SCALE	VER
CHECK BY:			FULL	2
APPROVED BY:				

**HDC有限公司**