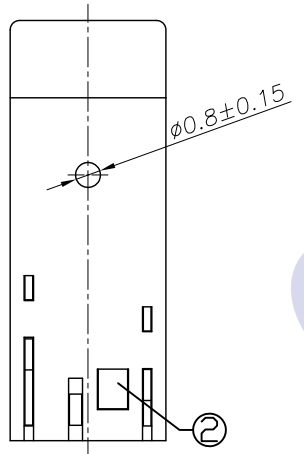
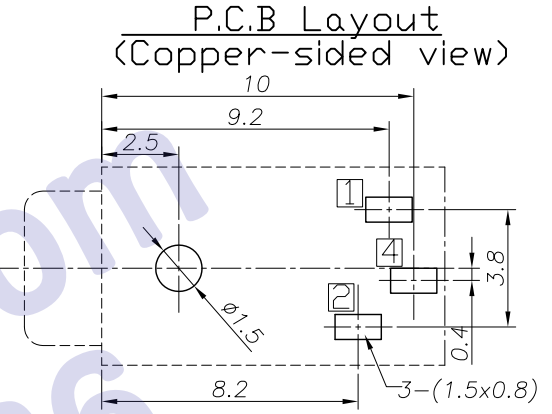
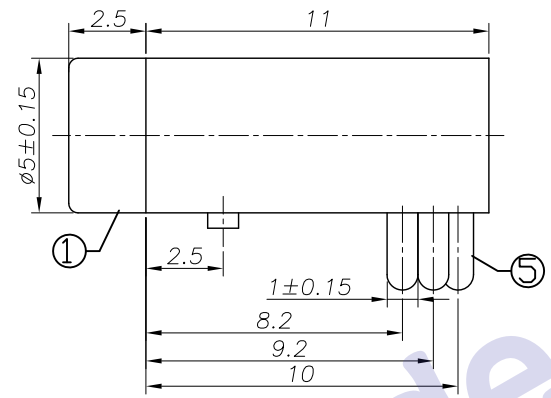
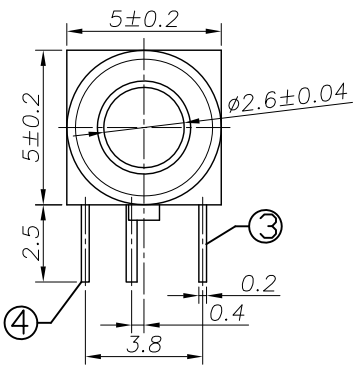


5	6	7	
REV. LTR.	DESCRIPTION	SIGN	DATE

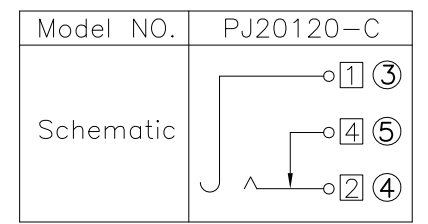


Ordering information:

PJ20120C660A C00 4

① ② ③ ④ ⑤ ⑥ ⑦

- ① :Series No.
- ② :Schematic option C
- ③ :Material of housing
66=PA66 (Only)
- ④ :Housing color
0A=Black (Standard) 2_=Red
3_=Orange
4_=Yellow
5_=Green
- ⑤ :Terminal plating
S=Silver (Ag)
C=Copper&tin alloy plating (Cu&Sn) (Standard)
- ⑥ :Special option
00:No special option
- ⑦ :Packing mode
4. Bag packing



□ : TERMINAL NO. ○ : ITEM NO.

SPECIFICATION

1. Rating ? DC 30V 0.5A?
2. Contact resistance ≤30mΩ?
3. Insulation resistance ≥100MΩ (DC250V)?
4. Withstand voltage ≥500VAC?
5. Insertion and extraction force ≤25N;
6. life test ≥5,000 cycles

⑤	Shunt terminal	1	Brass	PJ20120-04 (PP-872)	Cu-Sn-Plating
④	Tip spring	1	Phosphor bronze	PJ20120-02 (TP-871)	Cu-Sn-Plating
③	Earthing spring	1	Phosphor bronze	PJ20120-01 (JA-874)	Cu-Sn-Plating
②	Cover	1	PA66	PJ20120-S2 (GZ-873)	
①	Housing	1	PA66	PJ20120-S1 (ST-870)	

NO.	DESCRIPTION	QTY	MATERIAL	PART NO.	PLATING
UNIT:MM	TYPE:	MODEL NO:	PAPER NO: A4	PAGE 1 OF 1	
	∅2.5 PHONE JACK	PJ20120-C660A C004	TOLERANCE	ANGLES	SCALE VER
			±0.3	±2°	FULL 3

DESIGNER BY: Zhuhong 2008.08.15
 CHECK BY:
 APPROVED BY:

HDC有限公司