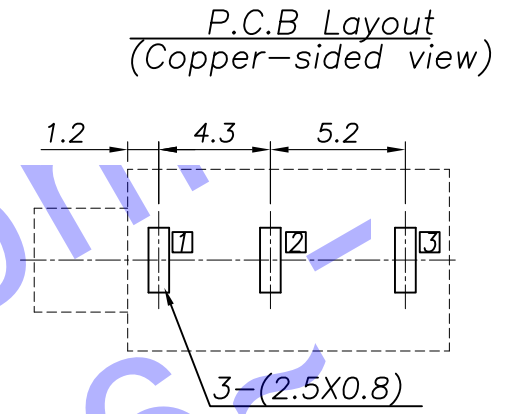
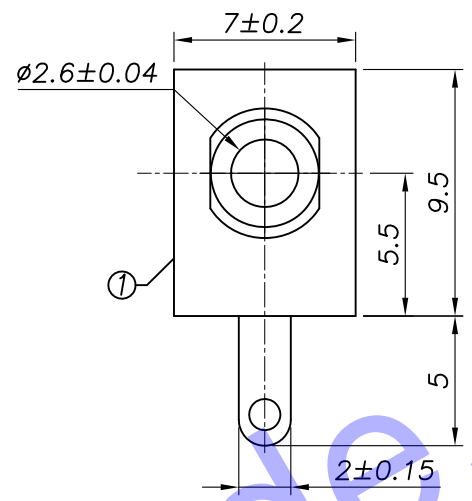
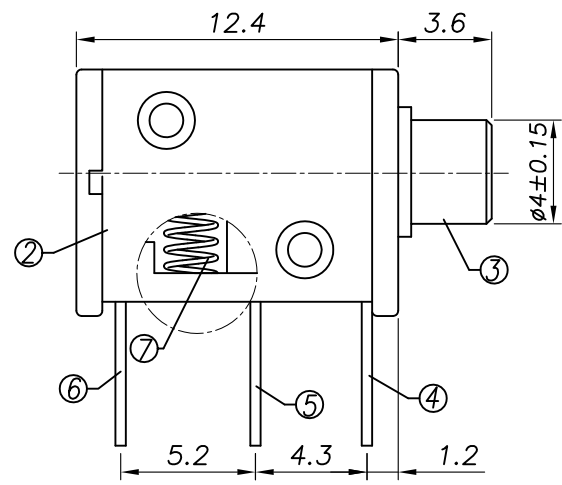
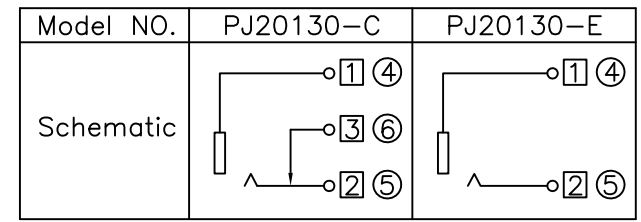
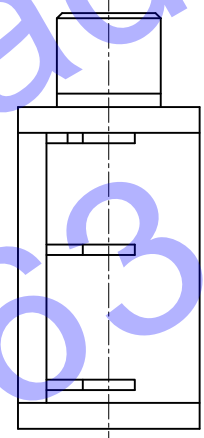


REV. LTR.	DESCRIPTION	SIGN	DATE



Ordering information:
 PJ20130- ϕ PB OA T ?? 4
 ① ② ③ ④ ⑤ ⑥ ⑦

①:Series No.
 ②:Schematic option: C E
 ③:Material of housing
 PB=PBT (Only)
 ④:Housing color
 OA=Black (Only)
 ⑤:Terminal plating
 T=Tin(Sn)
 S=Silver(Ag)
 C=copper&tin alloy plating
 ⑥:Special option
 (Standard)
 OC:Bushing is copper&tin alloy plating
 (standard)
 ON:Bushing is nickel plating
 ⑦:Packaging mode
 4.Bag packing



□: TERMINAL NO. ○: ITEM NO.

⑦	Spring	1	spring steel	Ni-Plating
⑥	Shunt terminal	1	Brass	Cu-Sn-Plating
⑤	Tip spring	1	Phosphor bronze	Cu-Sn-Plating
④	Earth spring	1	Brass	Cu-Sn-Plating
③	Bushing	1	Brass	Cu-Sn-Plating
②	Cover	1	PBT	Black
①	Housing	1	PBT	Black

NO	DESCRIPTION	QTY	MATERIAL	PLATING
UNIT:MM	TYPE:	MODEL NO:	PAPER NO: A4	PAGE 1 OF 1
	$\phi 2.5$ PHONE JACK	RJ20130- <u> </u> - <u> </u>	TOLERANCE: ± 0.3	ANGLES: $\pm 2'$
DESIGNER BY:	Zhuhong 2008.08.18	HDC有限公司		
CHECK BY:				
APPROVED BY:				

SPECIFICATION

- 1.Rating ? DC 30V 0.5A?
- 2.Contact resistance? $\leq 30m\Omega$?
- 3.Insulation resistance?? $100M\Omega$ (DC250V)?
- 4.Withstand voltage? 500VAC ?
- 5.Insertion and extraction force? 3-25N;
- 6.life test? 5,000 cycles?