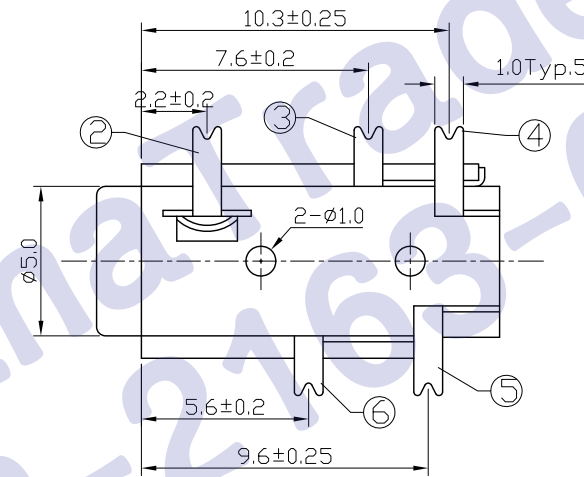
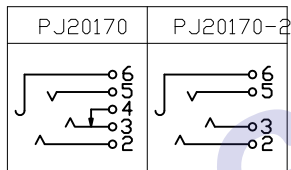
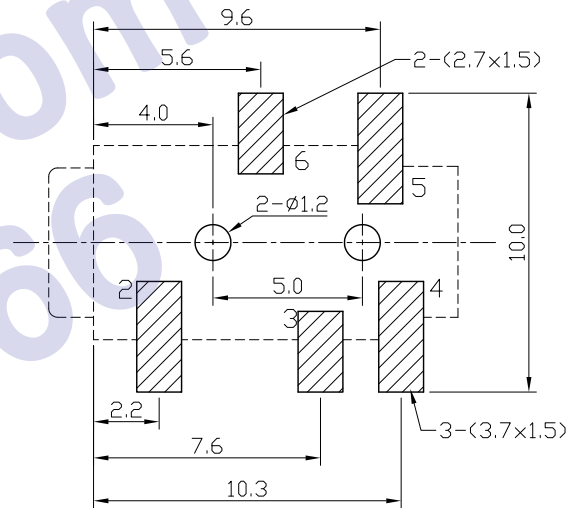


SCHEMATIC



P.C.B LAYOUT VIEW



- SPECIFICATION**
1. Rating ? DC 30V 0.5A?
 2. Contact resistance ≤30m?
 3. Insulation resistance ≥100M? (DC250V)?
 4. Withstand voltage ≥500VAC ?
 5. Insertion and extraction force ≤25N;
 6. life test ≥5,000 cycles

6	CONTACT FOOT	1	PHOSPHOR BRONZE T=0.2	Plating
5	CONTACT FOOT	1	PHOSPHOR BRONZE T=0.2	Plating
4	CURVE PIECE	1	BRASS T=0.2	Au-Plating
3	SPRING PIECE	1	Be-Cu T=0.2	Au-Plating
2	CONTACT FOOT	1	PHOSPHOR BRONZE T=0.2	Plating
1	HOUSING	1	PA9T	
NO.	DESCRIPTION	QTY	MATERIAL	PLATING

UNIT:MM	TYPE: PHONE JACK	MODEL NO: PJ-20170	PAPER NO:	PAGE 1 OF 1
			TOLERANCE	ANGLE\$ SCALE VER
			±0.3	±2° 1:1 1

DESIGNER		HDC有限公司
CHECK		
APPROVED		
BY:		