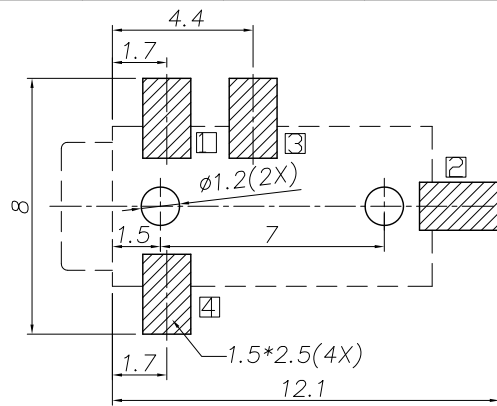
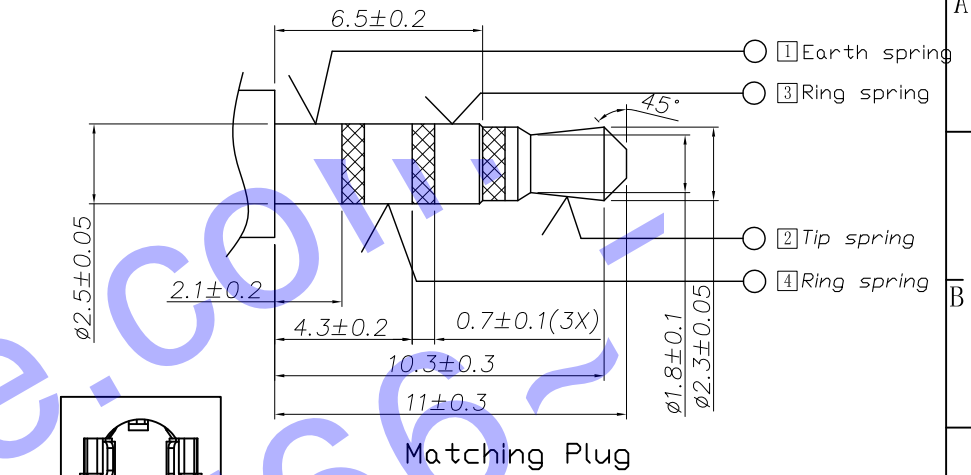
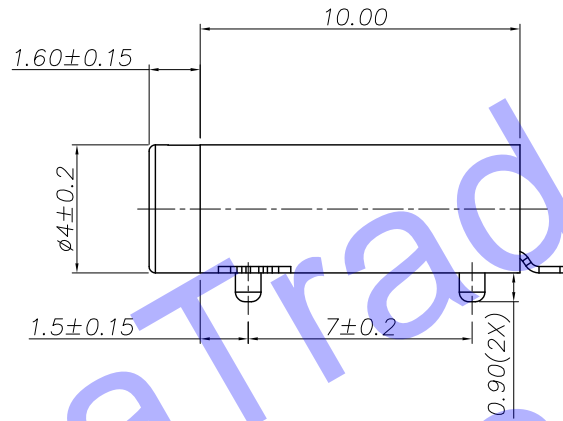
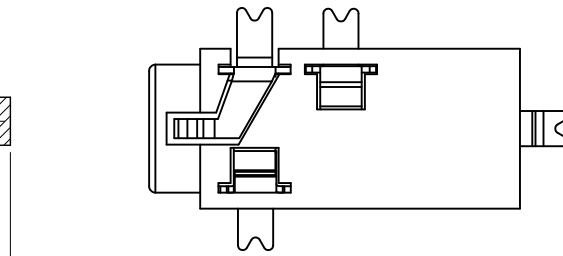
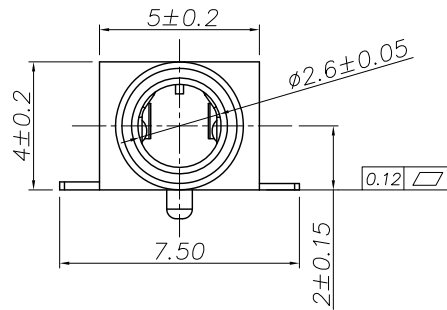


REV	QTY	ECN. NO.	REASON&CONTENTS	SIGN	DATE
△	1		Updating Drawing	Matt	12.12.10
△	1		Updating Drawing	KINGBO	13.03.25



RECOMMENDED P.C.B. LAYOUT
UNSPECIFIED TOLERANCE: ±0.05
(TOP VIEW)



Matching Plug

Ordering Information:

PJ20180-9T0A S?? ?
(1) (2) (3) (4)(X)(6) (7)

(1) Series No.

(2) Schematic option: M, D, N, E

(3) Material of housing:

9T=PA9T

(4) Housing color:

0A=Black

(5) Terminal plating:

S=Silver(Ag)

(6) Special option:

00=No special option

(7) Packing mode:

1=Tape reel packing

Specification:

1. Rating ?DC 30V 0.5A?

2. Contact resistance? ≤30m??

After test: ≤50m?

3. Insulation resistance??100M?(500VDC)?

After test: ?50M?

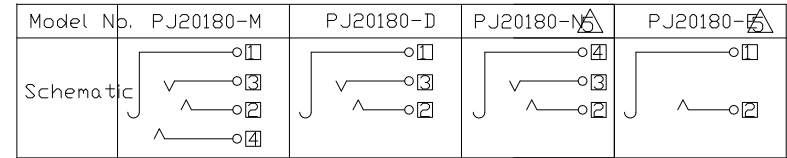
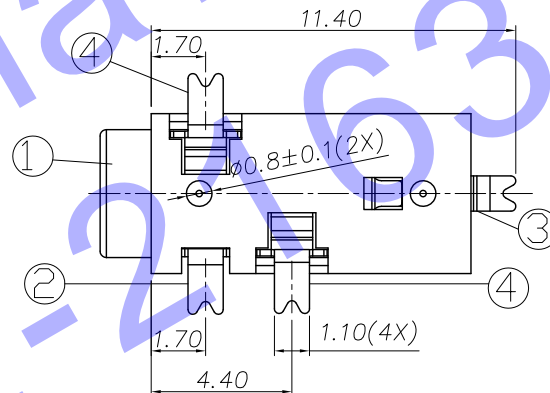
4. Withstand voltage?500VAC ?

5. Insertion and extraction force?3N?30N?

6. Life test?5000cycles min?

7. Operation temperature range: -20??70??

8. Preservation temperature range: -40??85??



Circuit Diagram □ Terminal No.

NO	DESCRIPTION	Q'TY	MATERIAL	PART NO.	REMARK
④	Ring spring	2	Copper Alloy	PJ20180-03(TP-03)	Over plating
③	Tip spring	1	Copper Alloy	PJ20180-02(JA-02)	Over plating
②	Earth spring	1	Copper Alloy	PJ20180-01(JA-01)	Over plating
①	Housing	1	Hi-Tem. Thermoplastic	PJ20180-S1(ST-01)	Black

THIS DOCUMENT IS THE SOLE PROPERTY OF BSC ELECTRONICS CO., LTD. AND SHOULD NOT BE USED IN WHOLE OR IN PART WITHOUT PRIOR WRITTEN PERMISSION.	UNIT:MM	TOLERANCE	TYPE:	MODEL NO:	DRAWING TYPE:	
		DIMENSIONS: X ±0.50, XX ±0.30, XXX ±0.15	ANGLES: X ±5°, X ±3°, XX ±2°	∅2.5 PHONE JACK	PJ20180- 9T0AS	CUSTOMER DRAWING
	DESIGNER	BY: KINGBO	2013.03.25	DRAWING No:	BSCR-0000-0055	SCALE:VER. PAGE: N/A 07 1/1
CHECK	BY: Matt	2013.03.25	<h1>HDC有限公司</h1>			
APPROVED	BY: JGG	2013.03.25				