

修正标记
REV. LTR.

描述
DESCRIPTION

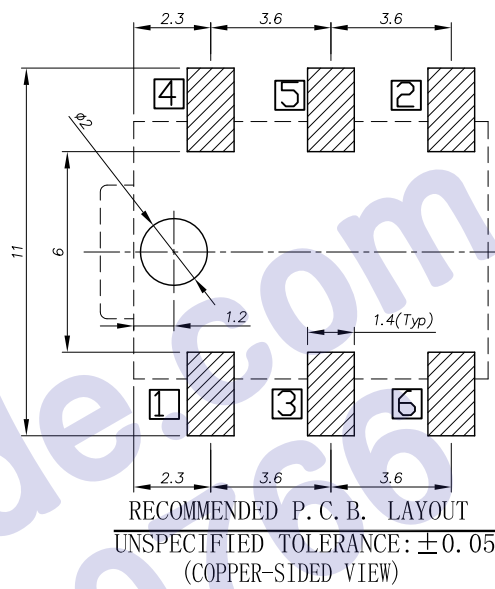
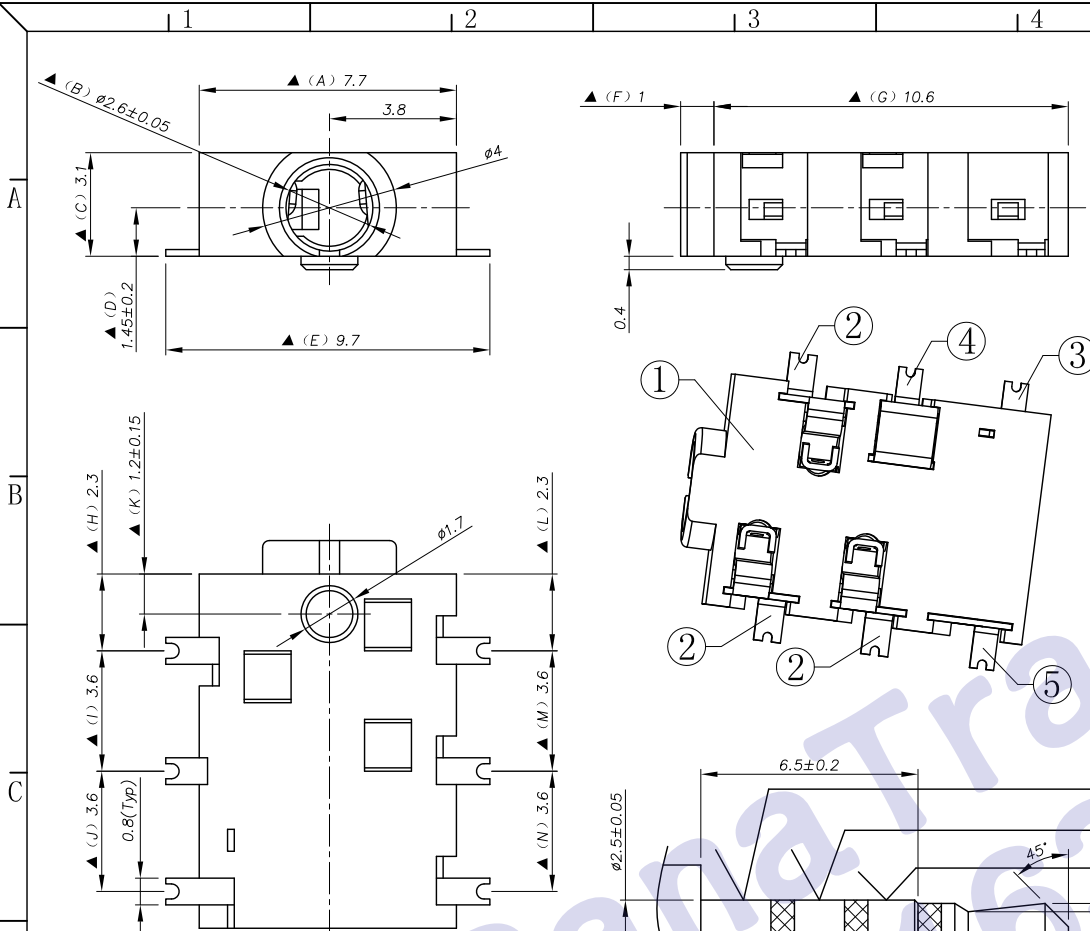
签名
SIGN

日期
DATE

△x1

Part No. changed

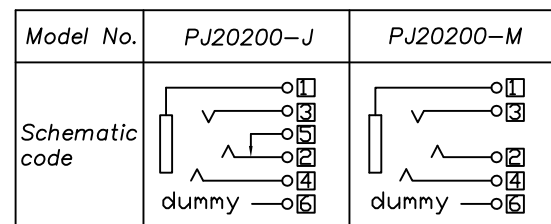
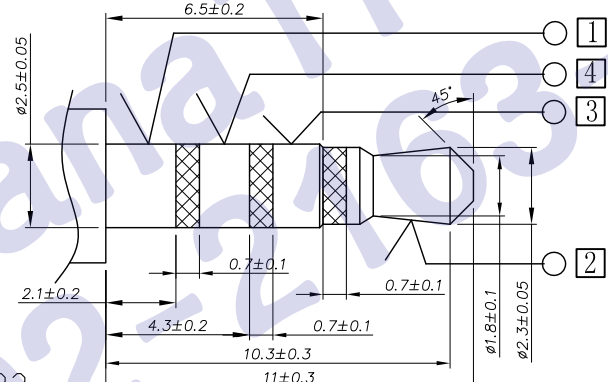
Michael 2008.07.05



Ordering information:
 PJ20200 ?? 0A? 00?
 (1) (2) (3) (4) (5) (6) (7)
 (1):Series No
 (2):Schematic option: J M
 (3):Material of housing:
 9T=PA9T LC=LCP
 (4):Housing color:0A=Black
 (5):Terminal plating:
 S=Silver(Ag)
 T=Tin(Sn)
 G=Gold(Au)
 (6):Special option:
 00=No special option
 (7):Packing mode:
 1=Tape rell packing
 3=Plastic box packing

Specification:
 1.Rating ?DC 30V 0.5A?
 2.Contact resistance?≤30m??
 After test:≤50m?
 3.Insulation resistance??100M? (500VDC)?
 After test:~50M?
 4.Withstanding voltage?500VAC ?
 5.Insertion and extraction force??3N
 6.life test?5000cycles min?
 7.Operation temperature range:-20
 8.Preservative temperature range:-40
 9.Sign"? "is importance dimension

Matching Plug



□:Terminal No.

| ⑤ Dummy terminal | 1 | Phosphor bronze t0.2 | PJ20200-06(PP-678) | | |
|------------------|-------------|-----------------------|--------------------|----------|--------|
| ④ Shunt terminal | 1 | Phosphor bronze t0.2 | PJ20200-05(WP-676) | | |
| ③ Tip spring | 1 | Beryllium bronze t0.2 | PJ20200-02(TP-677) | | |
| ② Ring spring | 3 | Beryllium bronze t0.2 | PJ20200-01(JA-679) | | |
| ① Housing | 1 | PA9T,UL94 V-0 | PJ20200-S1(ST-675) | Black | |
| NO. | DESCRIPTION | QTY | MATERIAL | PART NO. | REMARK |

| UNIT:MM | TYPE: | MODEL NO.: | PAPER NO: A4 | PAGE 1 OF 1 |
|---------|-----------------|------------------|--------------|-------------|
| ⊙ | ø2.5 PHONE JACK | PJ20200-__ __ 0A | TOLERANCE | ANGLES |
| | | 00 - | ±0.3 | ±2° |
| | | | SCALE | VER |
| | | | FULL | 4 |

DESIGNER BY: PD X 2011.05.02
 CHECK BY:
 APPROVED BY:

HDC有限公司