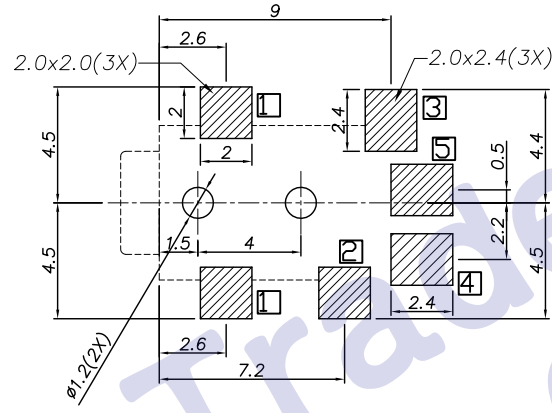
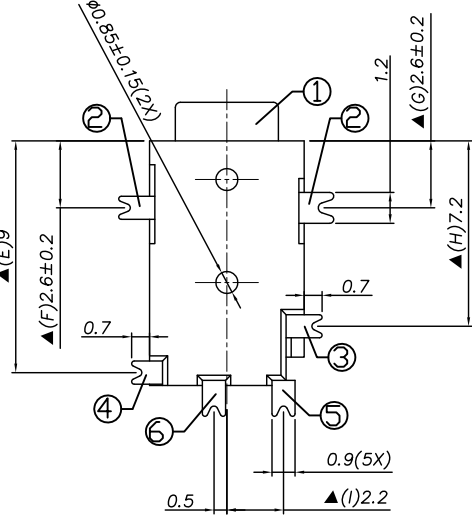
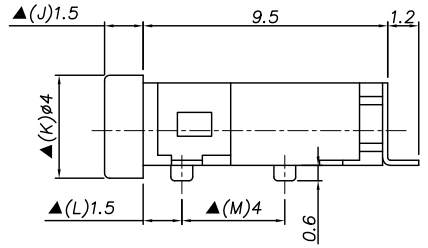
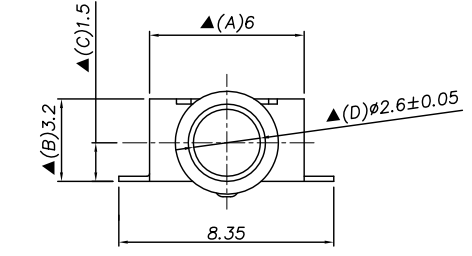


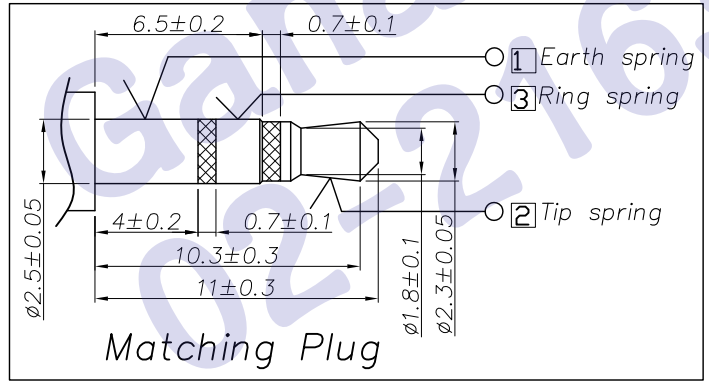
REV. LTR.	DESCRIPTION	SIGN	DATE
	Update drawing	Zhangxiuke	2011.06.27

Ordering information:
 PJ20240? 9T0A? 001
 (1) (2) (3)(4) (5)(6)(7)
 (1):Series No.
 (2):Schematic option: A?B?D?F
 (3):Material of housing:
 9T=PA9T
 (4):Housing color:
 0A=Black
 (5):Terminal plating
 S=Silver(Ag)
 G=Gold(Au)
 (6):Special option:
 00=No special option
 (7):Packing mode:
 1=Tape reel packing
 3=Tray packing

Zero



RECOMMENDED P. C. B. LAYOUT
 UNSPECIFIED TOLERANCE: ±0.05
 (TOP VIEW)



Specification:
 1. Rating : DC 30V 0.5A.
 2. Contact resistance: ≤50mΩ.
 After test: ≤100mΩ
 3. Insulation resistance: ≥100MΩ (500VDC).
 After test: ≥50MΩ
 4. Withstanding voltage: 500VAC.
 5. Insertion and extraction force: 3N~25N.
 6. life test: 5000cycles min.
 7. Operation temperature range: -20℃~70℃.
 8. Preservative temperature range: -40℃~85℃.
 9. Sign "▲" is importance dimension.
 9. Recommended solder process:
 wave solder at 260° MAX. & 5 sec MAX.
 or reflow solder at 260° MAX. & 10 sec MAX.

Model No.	PJ20240-A (PJ-224)	PJ20240-B (PJ-224-2)	PJ20240-D (PJ-224-3)	PJ20240-F (PJ-224-1)
Schematic				

□: Terminal No.

6	Shunt terminal	5	1	Bronze t0.2	PJ20240-06(WP-724)	Silver plating
5	Shunt terminal	4	1	Bronze t0.2	PJ20240-05(WP-725)	Silver plating
4	Ring spring	3	1	Bronze t0.2	PJ20240-03(TP-726)	Silver plating
3	Tip spring	2	1	Stainless steel t0.2	PJ20240-02(TP-727)	Silver plating
2	Earth spring	1	1	Stainless steel t0.2	PJ20240-01(JA-728)	Silver plating
1	Housing		1	PA9T	PJ20240-S1(ST-723)	Black

NO.	DESCRIPTION	QTY	MATERIAL	PART NO	REMARK
UNIT:MM	TYPE:	MODEL NO:	PAPER NO: A4	PAGE 1 OF 1	
	φ2.5 PHONE JACK	PJ20240-9T0A_001	TOLERANCE	ANGLES	SCALE VER
			±0.3	±2°	N/A 02

DESIGNER BY:	Zhangxiuke
CHECK BY:	Wang 2011.06.27
APPROVED BY:	Ocean 2011.06.27

HDC有限公司