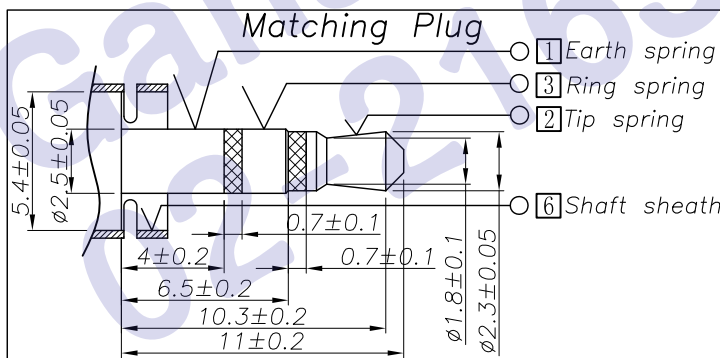
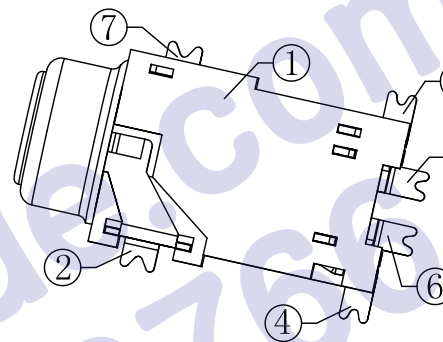


P.C.B Layout
(Copper-sided view)



Matching Plug

REV. LTR.	DESCRIPTION	SIGN	DATE
△1	Part No. changed	Michael	2007.12.29
△2	Circuit diagram PJ20260-H change to PJ20260-V	Michael	2009.07.08



Ordering information:
PJ20260 V9T0A? 00 1

(1) (2)(3)(4)(5)(6)(7)

(1):Series No.

(2):Schematic option:V

(3):Material of housing:
9T=PA9T

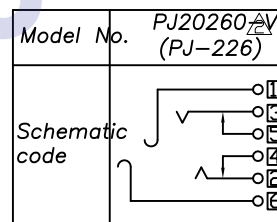
(4):Housing color:

Zero 0A=Black

(5):Terminal plating
G=Gold(Au) S=Silver(Ag)

(6):Special option:
00=No special option

(7):Packing mode:
1=Tape reel packing



□ Terminal

NO.	DESCRIPTION	QTY	MATERIAL	PART NO.	PLATING
7	Shaft sheath	1	Brass 0.25t	PJ20260-01	Gold Plating
6	Shunt terminal	1	Brass 0.25t	PJ20280-05	Gold/Silver Plating
5	Shunt terminal	1	Brass 0.25t	PJ20280-04	Gold/Silver Plating
4	Ring spring	1	Beryllium copper 0.25t	PJ20280-03	Gold/Silver Plating
3	Tip spring	1	Phosphor bronze 0.25t	PJ20280-02	Gold/Silver Plating
2	Earth spring	1	Stainless steel 0.2t	PJ20280-01	Gold/Silver Plating
1	Housing	1	PA9T,UL94 V-0	PJ20280-S1	

SPECIFICATION

- 1.Rating ? DC 30V 0.5A?
- 2.Contact resistance ≤50m? ?
- 3.Insulation resistance ≥100M? (DC250V)?
- 4.Withstand voltage 500VAC ?
- 5.Insertion and extraction force ≤25N;
- 6.life test ≥5000 cycles

UNIT/MM	TYPE	MODEL NO.	PAPER NO. A4	PAGE 1 OF 1
	φ2.5 PHONE JACK	PJ20260-V9T0A 001	TOLERANCE ±0.3	ANGLES ±2°
DESIGNER BY:	Michael 2009.07.08		SCALE FULL	VER 3
CHECK BY:				
APPROVED BY:				

HDC有限公司