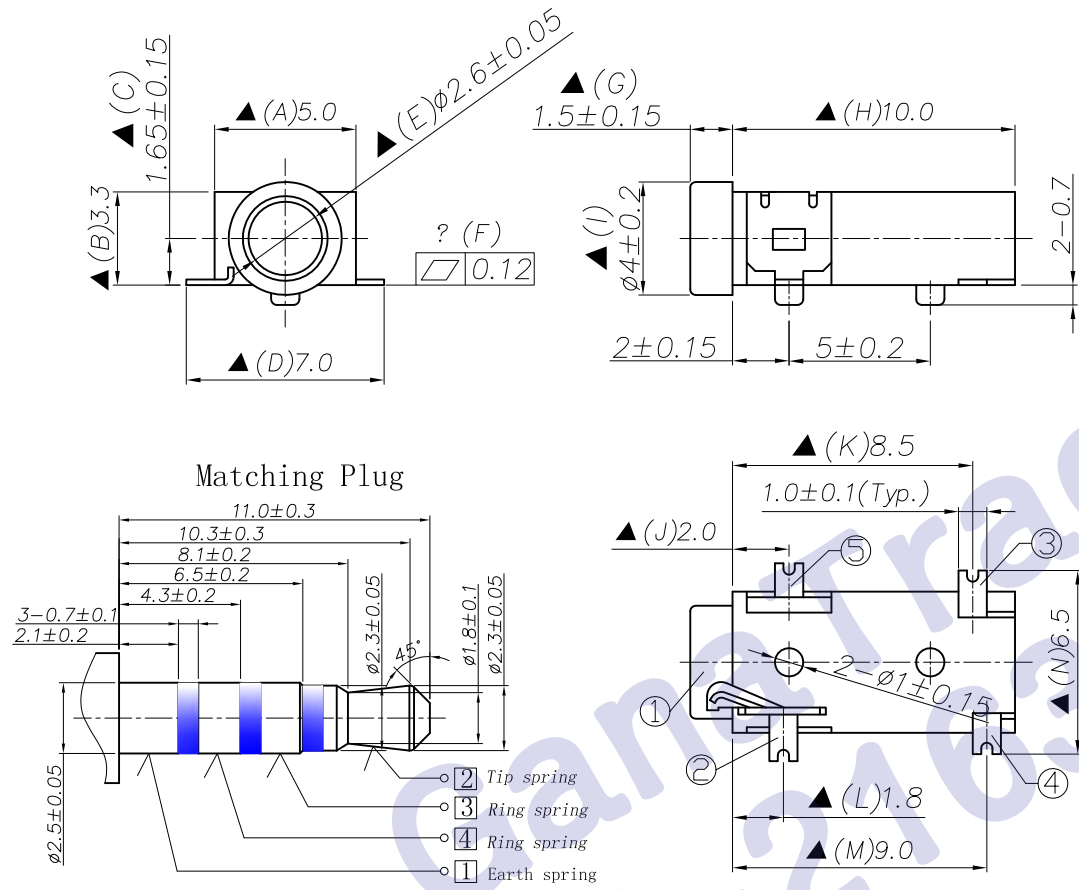
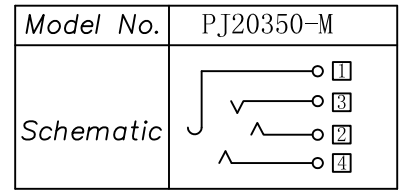


REV. LTR.	DESCRIPTION	SIGN	DATE
	Update drawing	Bull.pan	2011.06.30



Ordering information:  
**PJ20350- M 9T 0A S 00 1**  
 (1) (2) (3) (4) (5) (6) (7)  
 (1):Series No.  
 (2):Schematic option: M  
 (3):Material of housing:  
 9T=PA9T (Standard)  
 (4):Housing color:  
 Zero 0A=Black (Standard)  
 (5):Terminal plating  
 S=Silver (Ag) (Standard)  
 (6):Special option:  
 00=No special option  
 (7):Packing mode:  
 1=Tape reel packing

RECOMMENDED P. C. B. LAYOUT  
 UNSPECIFIED TOLERANCE: ±0.05  
 (TOP VIEW)



- Specification:
- Rating : DC 30V 0.5A.
  - Contact resistance: ≤50mΩ.  
After test: ≤100mΩ.
  - Insulation resistance: ≥100MΩ (500VDC).  
After test: ≥50MΩ.
  - Withstanding voltage: 500VAC.
  - Insertion and extraction force: 3N~30N.
  - life test: 5000cycles min.
  - Operation temperature range: -20℃~70℃.
  - Preservative temperature range: -40℃~85℃.
  - Sign"▲" is importance dimension.

5	Ring spring	4	1	Stainless steel t0.2	PJ20340-04(JA-1018)	Silver plating
4	Ring spring	3	1	Stainless steel t0.2	PJ20340-03(TP-1016)	Silver plating
3	Tip spring	2	1	Phosphor bronze t0.25	PJ20340-02(TP-1017)	Silver plating
2	Earth spring	1	1	Phosphor bronze t0.2	PJ20350-01(JA-1022)	Silver plating
1	Housing		1	PA9T	PJ20350-S1(ST-1021)	Black

NO.	DESCRIPTION	QTY	MATERIAL	PART NO.	REMARK
UNIT:MM	TYPE:	MODEL NO.:	PAPER NO: A4 PAGE 1 OF 1		
	∅2.5 PHONE JACK	PJ20350-M9T0AS001	TOLERANCE: ±0.3	ANGLES: ±2°	SCALE: N/A VER: 01

DESIGNER BY: Bull.pan 2011.06.30  
 CHECK BY: Matt 2011.06.30  
 APPROVED BY: Ocean 2011.06.30

**HDC有限公司**