

REV. LTR.	DESCRIPTION	SIGN	DATE
△	Change Material	Log.Han	2010.05.27

Ordering information:

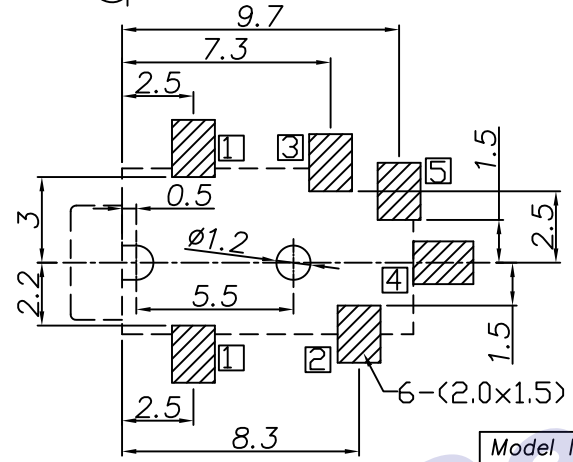
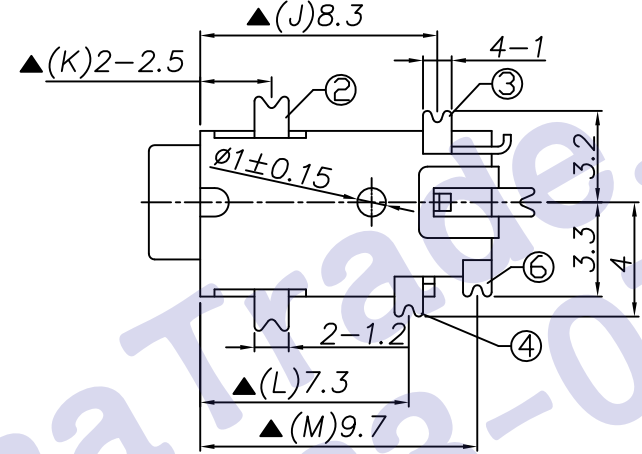
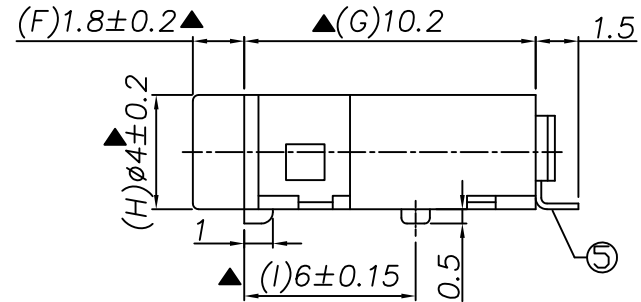
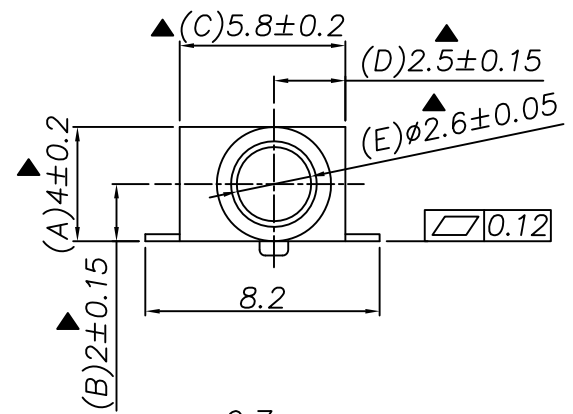
PJ20380 9T0A ? 00 1

(1) (2) (3) (4) (5) (6) (7)

- (1) Series No
- (2) Schematic option: A B D F
- △ (3) Material of housing: 9T=PA9T
- (4) Housing color: 0A=Black
- (5) Terminal plating  
G=Gold(Au); S=Silver(Ag)
- (6) Special option:  
00: No special option
- (7) Packing mode: 1: Reel packing

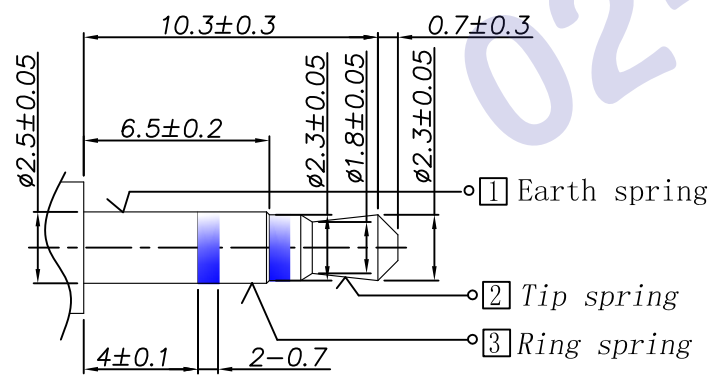
Specification:

1. Rating ? DC 30V 0.5A?
2. Contact resistance ? ≤50m??  
After test: ≤100m?
3. Insulation resistance ?? 100M? <500VDC>?  
After test: ?50M?
4. Withstand voltage ? 500VAC ?
5. Insertion and extraction force ? 3N? 30N?
6. life test ? 5000cycles min?
7. Operation temperature range ? -20
8. Preservation temperature range ? -20
9. Sign? "is importance dimension?"



P.C.B Layout  
(Copper-sided view)  
Matching Plug

Model No.	PJ20380-A	PJ20380-B	PJ20380-D	PJ20380-F
Schematic				



⑥	Shunt terminal	⑤	1	Brass T=0.25	PJ20380-05(WP-819)	Gold/Silver plating
⑤	Shunt terminal	④	1	Phosphor bronze T=0.25	PJ20090-04(WP-706)	Gold/Silver plating
④	Ring spring	③	1	Stainless steel T=0.20	PJ20380-03(TP-820)	Gold/Silver plating
③	Tip spring	②	1	Phosphor bronze T=0.25	PJ20090-02(TP-707)	Gold/Silver plating
②	Earth spring	①	1	Phosphor bronze T=0.25	PJ20380-01(JA-821)	Gold/Silver plating
①	Housing		1	PA9T, UL94 V-0	PJ20380-S1(ST-818)	

NO.	DESCRIPTION	QTY	MATERIAL	PART NO.	PLATING	
UNIT:MM	TYPE:	MODEL NO.:	PAPER NO. A4	PAGE 1 OF 1		
	φ2.5 PHONE JACK	PJ20380-9T0A-001	TOLERANCE	ANGLES	SCALE	VER
			±0.3	±2°	N/A	5
DESIGNER BY:	Log.Han 2010.05.27					
CHECK BY:						
APPROVED BY:						

HDC有限公司