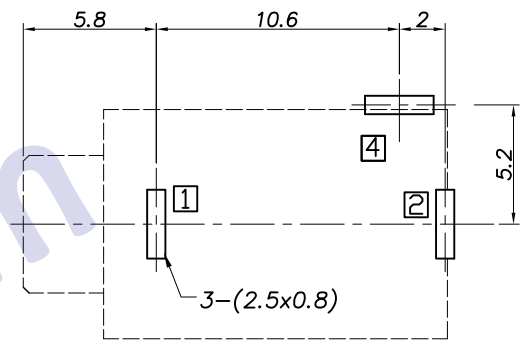
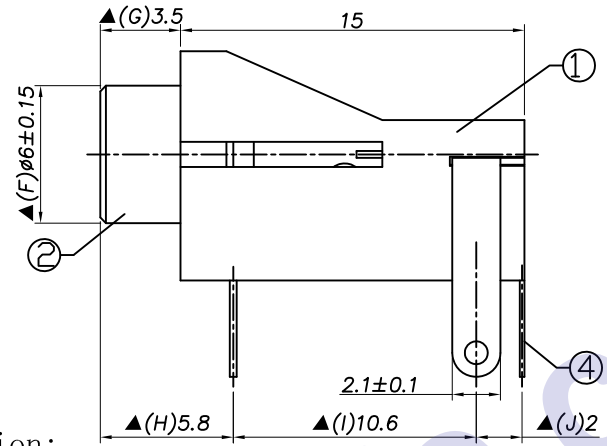
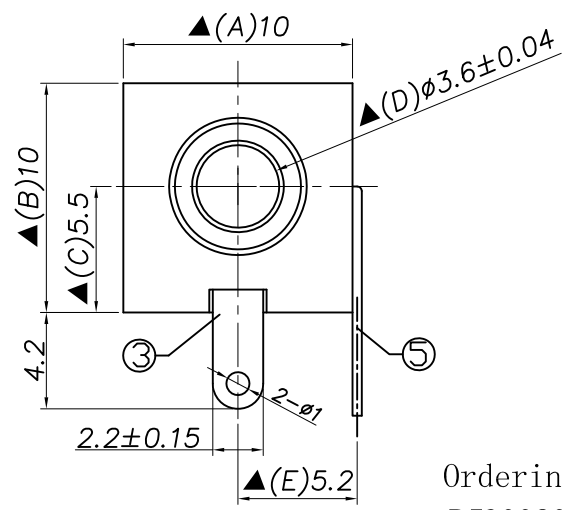


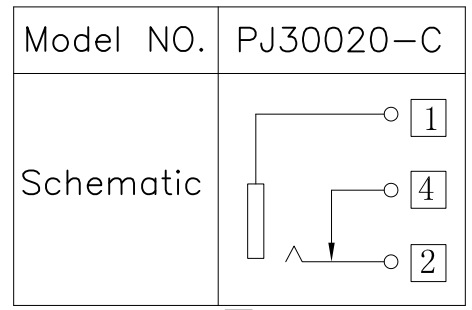
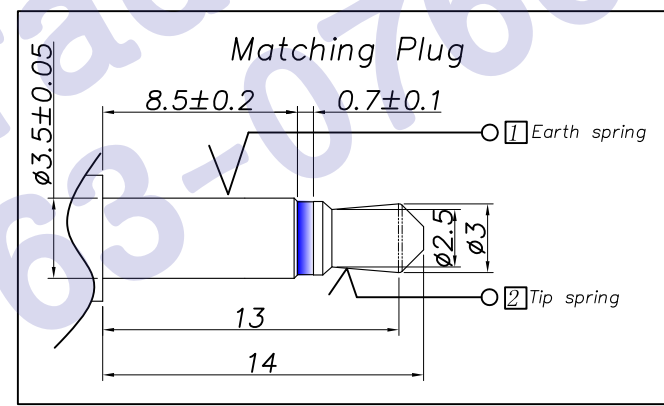
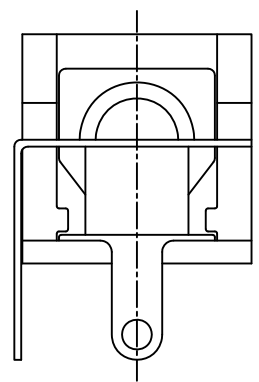
REV. LTR.	DESCRIPTION	SIGN	DATE



P.C.B. Layout
(Copper-sided view)

Ordering information:
PJ30020 -C 66 0A T □□ 4
 (1) (2) (3) (4) (5) (6) (7)

- (1): Series No
- (2): Schematic option: C
- (3): Material of housing:
66: PA66 (Only)
- (4): Housing color:
0A: Black (Standard) 2_: Red
3_: Orange
4_: Yellow
5_: Green
- (5) Terminal plating:
D: White (Sn) (Standard)
S: Silver (Ag)
- (6): Special option
ON: Bushing is Nickel plating (Standard)
OG: Bushing is Gold plating
OC: Bushing is Cu&Tin Plating
- (7): Packing mode:
4: Bag packing



□: TERMINAL NO.

SPECIFICATION

1. Rating : DC 30V 0.5A;
2. Contact resistance: ≤50mΩ;
3. Insulation resistance: ≥100MΩ (DC250V);
4. Withstand voltage: 500VAC ;
5. Insertion and extraction force: 3-30N;
6. life test: 5,000 cycles.
7. Sign"▲ "is importance dimension

NO.	DESCRIPTION	QTY	MATERIAL	PLATING
5	Shunt terminal	4	Brass	Sn-Plating
4	Tip spring	2	Manganese steel (65Mn)	Sn-Plating
3	Earth spring	1	Brass	Sn-Plating
2	Bushing	1	Brass	Ni/Au/Cu-Sn-Plating
1	Housing	1	PA66	Black

UNIT:MM	TYPE:	MODEL NO:	PAPER NO: A4	PAGE 1 OF 1
	φ3.5 PHONE JACK	PJ30020-C660AT_ _4	TOLERANCE	ANGLES
DESIGNER BY:	Zhuhong 2009/9/28		±0.3	±2°
CHECK BY:			SCALE	VER
APPROVED BY:			FULL	1

HDC有限公司